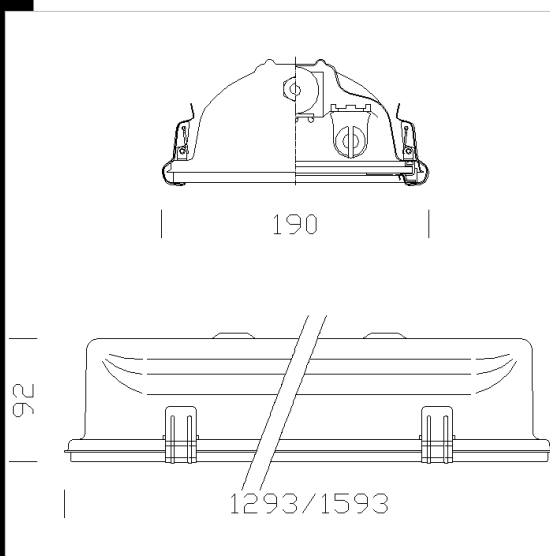


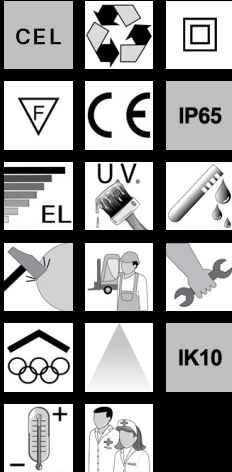
994 Forma - protection "nA" + "tc"



HOUSING: steel drawn in a single piece with high mechanical resistance;
 FRAME: steel with safety screws for protection against accidental opening;
 LATCHES: steel with safety screws for protection against accidental opening;
 REFLECTOR: In pre-painted steel, white, anti-yellowing.
 PAINTING: In polyester powder, upon phosphate treatment, resistant to corrosive and saline environments.
 DIFFUSER: 5mm thick tempered glass, resistant to impact and thermal shock;
 GASKETS: All the gaskets are retained and made of silicone rubber resistant to low and high temperatures;
 CABLE GLAND: Impact resistant metal, for environments at risk of explosion according to CEI EN 50014 with working temperatures ranging between -30°C and +90°C ;
 ELECTRONIC BALLAST: cathode preheating, thermal protection and energy efficiency class A2;
 INTERNAL ELECTRIC GEAR: single-pole PVC cable with 0.5sqmm cross section, heat resistant at 90°C;
 POWER SUPPLY TERMINAL: Two poles + grounding with 2.5sqmm maximum lead cross section;



Code	Gear	Kg	Lumen-K-CRI	WTot	Base	Colour
162476-00	CEL	9.10	FL 1x58-5200lm-4000K-Ra 1b	55 W	G13	GREY
162477-00	CEL	7.74	FL 2x36-3350lm-4000K-Ra 1b	72 W	G13	GREY
162475-00	CEL	7.56	FL 1x36-3350lm-4000K-Ra 1b	36 W	G13	GREY
162478-00	CEL	9.50	FL 2x58-5200lm-4000K-Ra 1b	110 W	G13	GREY



Download

DXF 2D
- d994.dxf
Montaggi
- forma_cel_atex.pdf

The reported luminous flux is the flux emitted by the light source with a tolerance of ± 10% compared to the indicated value. The W tot column indicates the total wattage absorbed by the system without exceeding 10% of the indicated