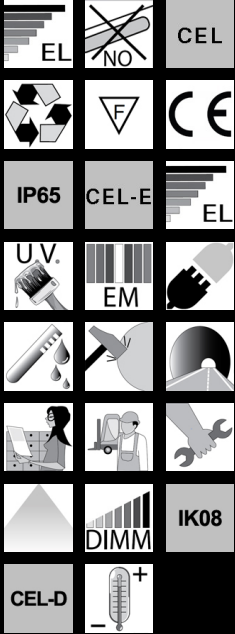
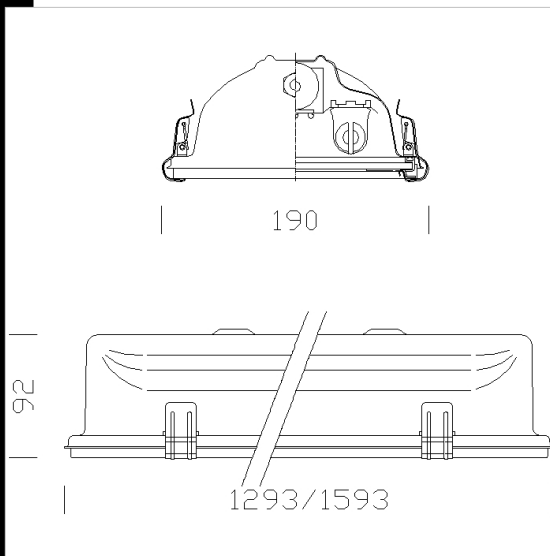




999 Forma T8 - stainless steel+glass

Housing: In AISI 304 18/8 stainless steel. Complete with stainless steel frame, drawn in a single piece with high mechanical resistance.
 Diffuser: In 5 mm thick, shock resistant, tempered glass.
 Reflector: In pre-painted steel, white, anti-yellowing.
 Painting: In polyester powder, RAL 7035 colour, upon phosphate treatment, resistant to corrosive and saline environments.
 Lampholder: In polycarbonate, with contacts in phosphor bronze. Socket G13.
 Electric gear: 230-240V/50Hz power supply. Hard wire, 0.50 sqmm lead cross-section, and PVC-HT sheath resistant up to 90°C according to CEI 20-20 standards. 2P+T terminal block, maximum allowed lead cross-section of 2.5 sqmm.
 Equipment: Silicone rubber gasket. Nylon fibreglass cable gland, Ø 1/2 gas thread (cable min. Ø 9, max Ø 12). Locking system in stainless steel. Standard eyebolt with threaded rod. Installable on track art. 6000 by acc. 6036.
 Regulations: Produced according to applicable EN60598-1 CEI 34-21 standards, IP65IK08 degree of protection according to EN 60529 standards. It has been granted the ENEC European Certificate of Conformity.
 These fixtures can be installed on normally inflammable surfaces.
 Lamps: FL1x36: FL1x58: FL2x36: FL2x58.



Download
 DXF 2D
 - d999.dxf
 Montaggi
 - 994_9_forma.pdf
 - forma_ca.dxf

Code	Gear	Kg	Lumen-K-CRI	WTot	Base	Colour
162463-09	CEL-E	7.40	FL 2x36-3350lm-4000K-Ra 1b	73 W	G13	STAINLESS STEEL
162462-08	CEL	9.10	FL 1x58-5200lm-4000K-Ra 1b	56 W	G13	STAINLESS STEEL
162461-12	CEL-D	6.80	FL 1x36-3350lm-4000K-Ra 1b	36 W	G13	STAINLESS STEEL
162462-12	CEL-D	8.46	FL 1x58-5200lm-4000K-Ra 1b	67 W	G13	STAINLESS STEEL
162463-12	CEL-D	7.00	FL 2x36-3350lm-4000K-Ra 1b	74 W	G13	STAINLESS STEEL
162461-09	CEL-E	8.00	FL 1x36-3350lm-4000K-Ra 1b	40 W	G13	STAINLESS STEEL
162464-08	CEL	10.00	FL 2x58-5200lm-4000K-Ra 1b	113 W	G13	STAINLESS STEEL
162461-08	CEL	7.50	FL 1x36-3350lm-4000K-Ra 1b	37 W	G13	STAINLESS STEEL
162462-09	CEL-E	9.60	FL 1x58-5200lm-4000K-Ra 1b	59 W	G13	STAINLESS STEEL
162464-09	CEL-E	10.60	FL 2x58-5200lm-4000K-Ra 1b	116 W	G13	STAINLESS STEEL
162464-12	CEL-D	8.50	FL 2x58-5200lm-4000K-Ra 1b	108 W	G13	STAINLESS STEEL
162463-08	CEL	6.94	FL 2x36-3350lm-4000K-Ra 1b	70 W	G13	STAINLESS STEEL

Accessories



- 940 narrow-beam reflector



- 996 adjustable bracket



- 943 wide-beam reflector



- Frame - with matt glass - Forma



- LED Reflector - Forma

The reported luminous flux is the flux emitted by the light source with a tolerance of ± 10% compared to the indicated value. The W tot column indicates the total wattage absorbed by the system without exceeding 10% of the indicated