

## 993 Forma LED - transparent glass

**Housing:** In steel, drawn in a single piece of high mechanical resistance. Complete with pressed steel frame, drawn in a single piece of high mechanical strength.

**Diffuser:** In 5 mm thick, shock resistant, tempered glass.

**Painting:** In polyester powder, RAL 7035 colour, upon phosphate treatment, resistant to corrosive and saline environments.

**Equipment:** Silicone rubber gasket. M20 nickel-plated brass cable gland, Ø 1/2 gas thread (cable min. Ø 9, max Ø 12). Locking system in stainless steel. Standard eyebolt with threaded rod. Installable on track art. 6000 by acc. 6036.

**Regulations:** Produced according to applicable EN60598-1 CEI 34-21 standards, IP65IK08 degree of protection according to EN 60529 standards.

These fixtures can be installed on normally inflammable surfaces.

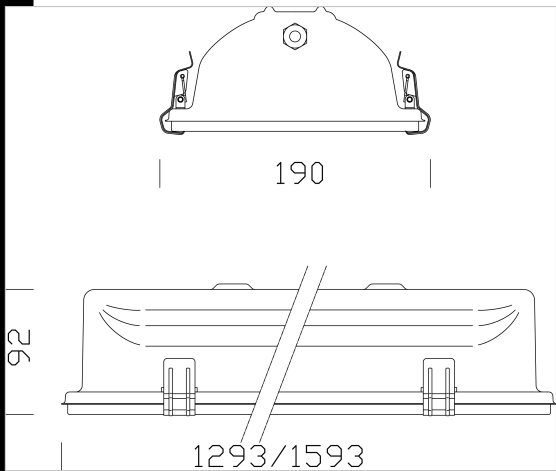
Ta -25°C +40°C.

**LED:** Latest generation LED technology, life 50.000h to 80% L80B20

Photobiological safety class: exempt group EN62471.

On request:

-Emergency unit.



### Download

DXF 2D  
- formaled.dxf

Montaggi  
- forma.pdf

BIM  
- 993 Forma LED - transparent glass -  
20200613.zip

Code	Gear	Kg	Lumen Output-K-CRI	WTot	Colour
162457-00	CLD	7.60	LED-4688lm-4000K-CRI80	36 W	GREY
162447-00	CLD	7.28	LED-6000lm-4000K-CRI80	50 W	GREY
162448-00	CLD	8.95	LED-8082lm-4000K-CRI80	61 W	GREY
162458-00	CLD	9.19	LED-9264lm-4000K-CRI80	71 W	GREY
162457-07	CLD-E	8.08	LED-4688lm-4000K-CRI80	39 W	GREY
162447-07	CLD-E	8.40	LED-6000lm-4000K-CRI80	53 W	GREY
162448-07	CLD-E	8.84	LED-8082lm-4000K-CRI80	64 W	GREY
162458-07	CLD-E	9.69	LED-9264lm-4000K-CRI80	74 W	GREY

### Accessories



- 975 shock-resist guard



- 996 adjustable bracket



- LED Reflector - Forma

The reported luminous flux is the flux emitted by the light source with a tolerance of ± 10% compared to the indicated value. The W tot column indicates the total wattage absorbed by the system without exceeding 10% of the indicated