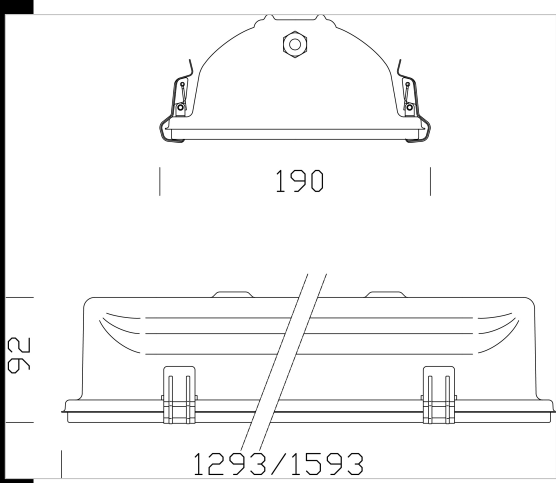


**Download**  
DXF 2D  
- formaled.dxf  
Montaggi  
- forma.pdf  
BIM  
- 995 Forma LED - with etched glass -  
20200613.zip



**995 Forma LED - with etched glass**

Housing: In steel, drawn in a single piece of high mechanical resistance. Complete with pressed steel frame, drawn in a single piece of high mechanical strength.  
Diffuser: In 5 mm thick, shock resistant, tempered glass.  
Painting: In polyester powder, RAL 7035 colour, upon phosphate treatment, resistant to corrosive and saline environments.  
Equipment: Silicone rubber gasket. M20 nickel-plated brass cable gland, Ø 1/2 gas thread (cable min. Ø 9, max Ø 12). Locking system in stainless steel. Standard eyebolt with threaded rod. Installable on track art. 6000 by acc. 6036.  
Regulations: Produced according to applicable EN60598-1 CEI 34-21 standards, IP65IK08 degree of protection according to EN 60529 standards. These fixtures can be installed on normally inflammable surfaces.  
Ta -25°C +40°C.  
LED: Latest generation LED technology, life 50.000h to 80% L80B20  
Photobiological safety class: exempt group EN62471.  
On request:  
-Emergency unit.



Code	Gear	Kg	Lumen Output-K-CRI	WTot	Colour
162455-00	CLD	7.68	LED-4378lm-4000K-CRI80	36 W	GREY
162445-00	CLD	7.28	LED-5635lm-4000K-CRI80	50 W	GREY
162446-00	CLD	8.95	LED-7547lm-4000K-CRI80	61 W	GREY
162456-00	CLD	9.21	LED-8650lm-4000K-CRI80	71 W	GREY
162455-07	CLD CELL-E	8.26	LED-4378lm-4000K-CRI80	36 W	GREY
162445-07	CLD CELL-E	8.32	LED-5635lm-4000K-CRI80	50 W	GREY
162446-07	CLD CELL-E	9.95	LED-7547lm-4000K-CRI80	61 W	GREY
162456-07	CLD CELL-E	9.80	LED-8650lm-4000K-CRI80	73 W	GREY

**Accessories**



- 975 shock-resist guard



- 996 adjustable bracket



- LED Reflector - Forma

The reported luminous flux is the flux emitted by the light source with a tolerance of ± 10% compared to the indicated value. The W tot column indicates the total wattage absorbed by the system without exceeding 10% of the indicated