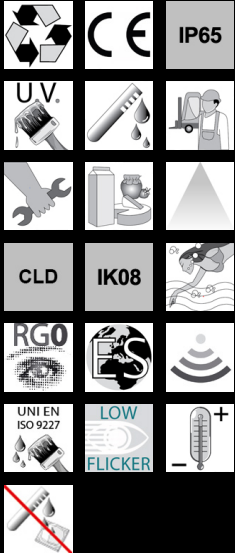


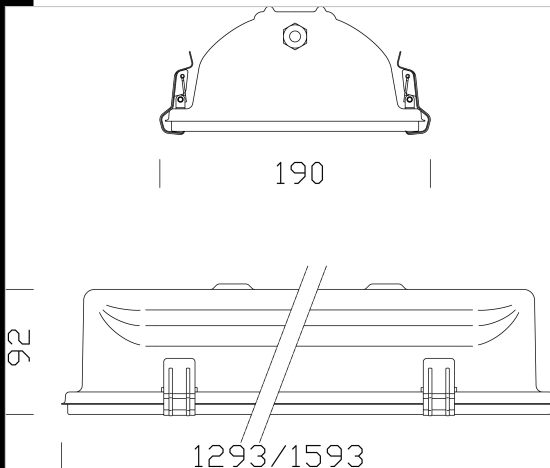
976 Forma HE - elliptical 30°x80° - transparent glass



Housing: In steel, drawn in a single piece of high mechanical resistance. Complete with pressed steel frame, drawn in a single piece of high mechanical strength. Diffuser: In 5 mm thick, shock resistant, tempered glass.  
 Optics: high-efficiency lens in PMMA capable of withstanding high temperatures and UV rays, including different photometric distributions  
 Painting: In polyester powder, RAL 7035 colour, upon phosphate treatment, resistant to corrosive and saline environments.  
 Equipment: Silicone rubber gasket. M20 nickel-plated brass cable gland, Ø 1/2 gas thread (cable min. Ø 9, max Ø 12). Locking system in stainless steel Standard eyebolt with threaded rod. Installable on track art. 6000 by acc. 6036.  
 Regulations: Produced according to applicable EN60598-1 CEI 34-21 standards, IP65IK08 degree of protection according to EN 60529 standards. These fixtures can be installed on normally inflammable surfaces.  
 Ta -25°C +40°C.  
 LED: Latest generation LED technology, life 50.000h to 80% L80B20  
 Photobiological safety class: exempt group EN62471.



**Download**  
 DXF 2D  
 - formaled.dxf  
 Montaggi  
 - 976-977 02-21.pdf  
 BIM  
 - 976 Forma HE - elliptical 30°x80° - transparent glass - 20200613.zip



Code	Gear	Kg	Lumen Output-K-CRI	WTot	Colour
162430-00	CLD	7,80	LED-5854lm-4000K-CRI80	46 W	GREY
162432-00	CLD	9,19	LED-11400lm-4000K-CRI80	90 W	GREY
162431-00	CLD	8,19	LED-7318lm-4000K-CRI80	56 W	GREY
162433-00	CLD	9,19	LED-14251lm-4000K-CRI80	110 W	GREY

The reported luminous flux is the flux emitted by the light source with a tolerance of ± 10% compared to the indicated value. The W tot column indicates the total wattage absorbed by the system without exceeding 10% of the indicated