



download

DXF 2D
- formaled.dxf

Montaggi
- forma.pdf

997 Forma LED - with polycarbonate diffuser

Housing: In steel, drawn in a single piece of high mechanical resistance. Complete with pressed steel frame, drawn in a single piece of high mechanical strength.

Diffuser: Injection moulded, in V2 self-extinguishing, UV stabilized, clear polycarbonate, ideal for the food industry.

Painting: In polyester powder, RAL 7035 colour, upon phosphate treatment, resistant to corrosive and saline environments.

Equipment: Silicone rubber gasket. M20 nickel-plated brass cable gland, Ø 1/2 gas thread (cable min. Ø 9, max Ø 12). Locking system in stainless steel. Standard eyebolt with threaded rod. Installable on track art. 6000 by acc. 6036.

Regulations: Produced according to applicable EN60598-1 CEI 34-21 standards, IP65IK08 degree of protection according to EN 60529 standards.

These fixtures can be installed on normally inflammable surfaces.

Ta -25°C +40°C.

LED: Latest generation LED technology, life 50.000h to 80% L80B20

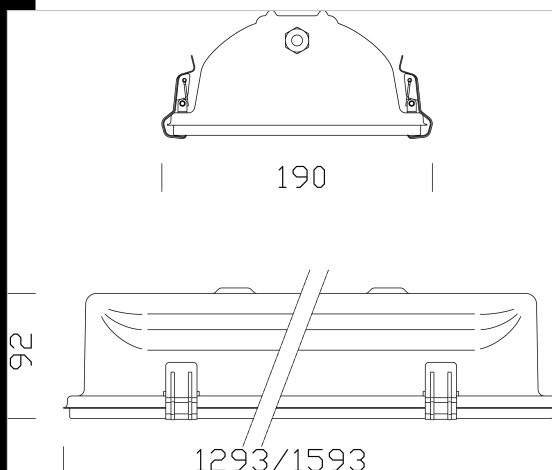
Photobiological safety class: exempt group EN62471.

On request:

-Emergency unit.

This lighting fixture meets the global standards of the International Food Safety (IFS), the British Retail Consortium (BRC) and the HACCP Directive regarding the safety of the lighting systems in the food industry.

In any case, it will be necessary to contact appointed designers and Disano's consultancy office to check the compatibility of materials with the food products processed and in all industrial environments where sanitizing systems are installed.



catalogo.codice	catalogo.cablaggio	kg	catalogo.watt	catalogo.attacco	catalogo.lampade	catalogo.colore
162400-00	CLD CELL	6.72	LED		4773lm-4000K-CRI80	GREY
162401-00	CLD CELL	6.24	LED		4773lm-4000K-CRI80	GREY
162402-00	CLD CELL	7.41	LED		9143lm-4000K-CRI80	GREY
162403-00	CLD CELL	7.41	LED		9143lm-4000K-CRI80	GREY

catalogo.accessori



- 975 shock-resist.guard



- 996 adjustable bracket