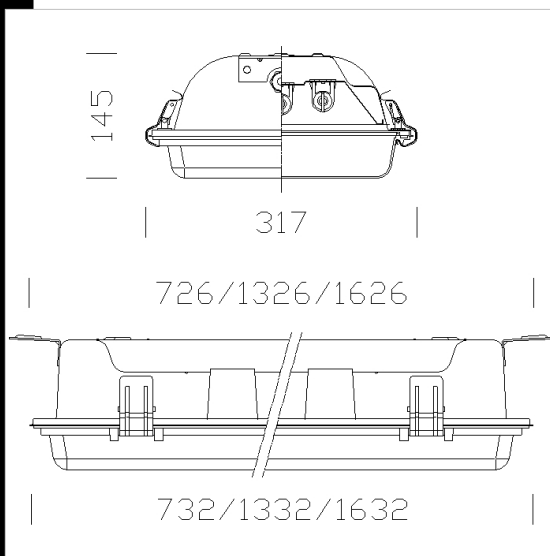


Download
DXF 2D
- d989.dxf
Montaggi
- steel_eterna.pdf



989 Eterna T8 - stainless steel+polycarbonate

Housing: In AISI 304 18/8 stainless steel, drawn in a single piece with high mechanical resistance. Stainless steel catches.
Reflector: In 2 micron thick, high-gloss, anodized aluminium, exceptional crosswise dimensions for high efficiency.
Diffuser: In vandal resistant and V2 self-extinguishing polycarbonate not resistant to mineral oils.
Lampholder: In polycarbonate, with contacts in phosphor bronze. Socket G13.
Electric gear: 230V/50Hz power supply. Hard wire 0.50 sqmm cross section, PVC-HT sheath, resistant up to 90° according to CEI 20-20 standards. 2P+T terminal block and max allowed lead cross section of 2.5 sqmm.
Equipment: 6.3 A protective fuse. Environment-friendly polyurethane foam gasket. Fibreglass nylon cable gland Ø 1/2 gas thread. Complete with ceiling mounting brackets.
Regulations: Produced according to applicable EN60598-1 CEI 34-21 standards, IP65IK08 degree of protection according to EN 60529 standards. It has been granted the ENEC European Certificate of Conformity. Can be installed on normally inflammable surfaces.
Additional gear: Electronic ballast and emergency kit.
Emergency version: In the event of a blackout, one lamp connected to the emergency circuit remains on, thus avoiding the inconvenience usually caused by sudden power failure. Its emergency run time is 60 minutes. When power supply is restored, the battery recharges automatically.



Code	Gear	Kg	Watt	Base	Lamps	Colour
162366-08	CEL-F	12,40	FL 3x58	G13	5200lm-4000K-Ra 1b	STAINLESS STEEL
162365-09	CELF-E	9,60	FL 3x36	G13	3350lm-4000K-Ra 1b	STAINLESS STEEL
162365-08	CEL-F	9,10	FL 3x36	G13	3350lm-4000K-Ra 1b	STAINLESS STEEL
162363-09	CELF-E	11,60	FL 2x58	G13	5200lm-4000K-Ra 1b	STAINLESS STEEL
162362-09	CELF-E	7,50	FL 2x36	G13	3350lm-4000K-Ra 1b	STAINLESS STEEL
162363-08	CEL-F	11,10	FL 2x58	G13	5200lm-4000K-Ra 1b	STAINLESS STEEL
162362-12	CELF-D	5,95	FL 2x36	G13	3350lm-4000K-Ra 1b	STAINLESS STEEL
162364-08	CEL-F	6,20	FL 3x18	G13	1350lm-4000K-Ra 1b	STAINLESS STEEL
162365-12	CELF-D	9,10	FL 3x36	G13	3350lm-4000K-Ra 1b	STAINLESS STEEL
162363-12	CELF-D	7,00	FL 2x58	G13	5200lm-4000K-Ra 1b	STAINLESS STEEL
162361-09	CELF-E	4,17	FL 2x18	G13	1350lm-4000K-Ra 1b	STAINLESS STEEL
162366-09	CELF-E	12,40	FL 3x58	G13	5200lm-4000K-Ra 1b	STAINLESS STEEL
162366-12	CELF-D	12,40	FL 3x58	G13	5200lm-4000K-Ra 1b	STAINLESS STEEL
162362-08	CEL-F	7,00	FL 2x36	G13	3350lm-4000K-Ra 1b	STAINLESS STEEL
162364-09	CELF-E	6,20	FL 3x18	G13	1350lm-4000K-Ra 1b	STAINLESS STEEL
162361-08	CEL-F	5,70	FL 2x18	G13	1350lm-4000K-Ra 1b	STAINLESS STEEL

Accessories



- 996 adjustable bracket



- 945 - narrow beam 2-lamp reflector



- 133 - coupling for 60 diam. tubes



- 127 bracket