



992 Eterna T8 - stainless steel+glass

Housing: In AISI 304 18/8 stainless steel, drawn in a single piece with high mechanical resistance. Complete with frame and stainless steel catches.

Reflector: In 2 micron thick, high-gloss, anodized aluminium, exceptional crosswise dimensions for high efficiency.

Diffuser: In 5 mm thick, shock-resistant tempered glass.

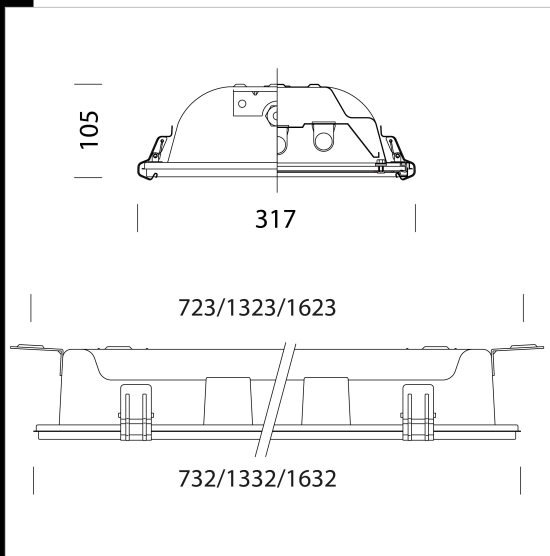
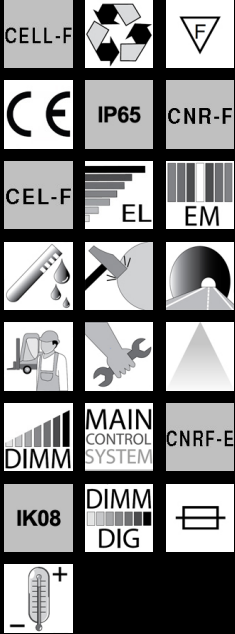
Lampholder: In polycarbonate, with contacts in phosphor bronze. Socket G13. Electric gear: 230V/50Hz power supply. Hard wire 0.50 sqmm cross section, PVC-HT sheath, resistant up to 90° according to CEI 20-20 standards. 2P+T terminal block and max allowed lead cross section of 2.5 sqmm.

Equipment: 6.3 A protective fuse. Silicone rubber gasket. Fibreglass nylon cable gland Ø 1/2 gas thread. Complete with ceiling mounting brackets. When opened, the frame remains attached to the housing for easy maintenance.

Regulations: Produced according to applicable EN60598-1 CEI 34-21 standards, IP65IK08 degree of protection according to EN 60529 standards. It has been granted the ENEC European Certificate of Conformity. Can be installed on normally inflammable surfaces.

Additional gear: Electronic ballast and emergency kit.

Emergency version: In the event of a blackout, one lamp connected to the emergency circuit remains on, thus avoiding the inconvenience usually caused by sudden power failure. Its emergency run time is 60 minutes. When power supply is restored, the battery recharges automatically.



Download
DXF 2D
- 992n.dxf
3DS
- 992_eterna_2x36.3ds
3DM
- 992_eterna_2x36.3dm
Montaggi
- steel_eterna.pdf

Code	Gear	Kg	Lumen-K-CRI	WTot	Base	Colour
162333-00	CEL-F	15.90	FL 2x58-5200lm-4000K-Ra 1b	112 W	G13	STAINLESS STEEL
162332-00	CEL-F	11.80	FL 2x36-3350lm-4000K-Ra 1b	70 W	G13	STAINLESS STEEL
162335-00	CEL-F	12.90	FL 3x36-3350lm-4000K-Ra 1b	107 W	G13	STAINLESS STEEL
162332-09	CELF-E	12.30	FL 2x36-3350lm-4000K-Ra 1b	73 W	G13	STAINLESS STEEL
162336-09	CELF-E	13.50	FL 3x58-5200lm-4000K-Ra 1b	172 W	G13	STAINLESS STEEL
162336-00	CEL-F	13.00	FL 3x58-5200lm-4000K-Ra 1b	169 W	G13	STAINLESS STEEL
162332-12	CELF-D	10.31	FL 2x36-3350lm-4000K-Ra 1b	74 W	G13	STAINLESS STEEL
162335-09	CELF-E	12.90	FL 3x36-3350lm-4000K-Ra 1b	108 W	G13	STAINLESS STEEL
162335-12	CELF-D	12.90	FL 3x36-3350lm-4000K-Ra 1b	110 W	G13	STAINLESS STEEL
162331-09	CELF-E	7.40	FL 2x18-1350lm-4000K-Ra 1b	41 W	G13	STAINLESS STEEL
162331-12	CELF-D	6.53	FL 2x18-1350lm-4000K-Ra 1b	37 W	G13	STAINLESS STEEL
162333-12	CELF-D	12.09	FL 2x58-5200lm-4000K-Ra 1b	108 W	G13	STAINLESS STEEL
162331-00	CEL-F	6.90	FL 2x18-1350lm-4000K-Ra 1b	38 W	G13	STAINLESS STEEL
162336-12	CELF-D	12.41	FL 3x58-5200lm-4000K-Ra 1b	174 W	G13	STAINLESS STEEL
162333-09	CELF-E	16.40	FL 2x58-5200lm-4000K-Ra 1b	116 W	G13	STAINLESS STEEL

The reported luminous flux is the flux emitted by the light source with a tolerance of ± 10% compared to the indicated value. The W tot column indicates the total wattage absorbed by the system without exceeding 10% of the indicated

Accessories



- 945 - narrow beam 2-lamp reflector



- 133 - coupling for 60 diam. tubes

