



## 991 Steel T5 - steel+polycarbonate

**Housing:** In pressed steel, drawn in a single piece with high mechanical resistance. Stainless steel catches.

**Reflector:** In 2 micron thick, high-gloss, anodized aluminium, exceptional crosswise dimensions for high efficiency.

**Diffuser:** In vandal resistant and V2 self-extinguishing polycarbonate, not resistant to mineral oils.

**Painting:** In polyester powder, RAL 7035 colour, upon phosphate treatment, resistant to corrosion and saline environments.

**Lampholder:** In polycarbonate, with contacts in phosphor bronze. Socket G5.

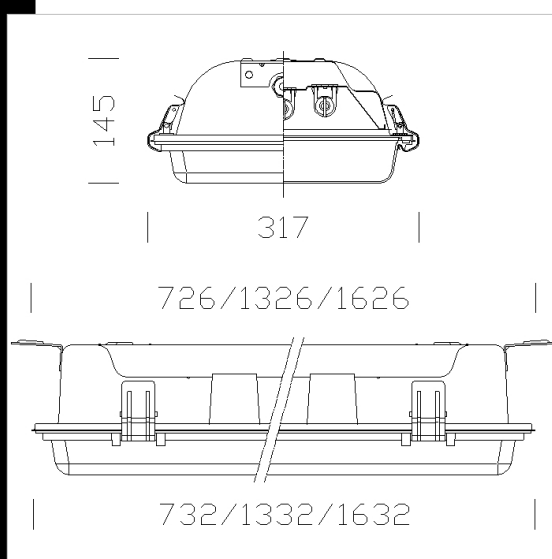
**Electric gear:** 230V/50Hz power supply. Hard wire 0.50 sqmm cross section, PVC-HT sheath, resistant up to 90° according to CEI 20-20 standards. 2P+T terminal block and max allowed lead cross section of 2.5 sqmm.

**Equipment:** 6.3 A protective fuse. Environment-friendly polyurethane foam gasket. Fibreglass nylon cable gland Ø 1/2 gas thread. Complete with ceiling mounting brackets. When opened, the frame remains attached to the housing for easy maintenance.

**Regulations:** Produced according to applicable EN60598-1 CEI 34-21 standards, IP65IK08 degree of protection according to EN 60529 standards. It has been granted the ENEC European Certificate of Conformity. Can be installed on normally inflammable surfaces.

**Additional gear:** Electronic ballast and emergency kit.

**Emergency version:** In the event of a blackout, one lamp connected to the emergency circuit remains on, thus avoiding the inconvenience usually caused by sudden power failure. Its emergency run time is 60 minutes. When power supply is restored, the battery recharges automatically.



### Download

DXF 2D  
- d991.dxf

### Montaggi

- grado di inclinazione.dxf  
- steel\_eterna.pdf

Code	Gear	Kg	Watt	Base	Lamps	Colour
162271-12	CELLF-D	7,32	FL 2x49	G5	4350lm-4000K-Ra 1b	SANDBLASTED SILVER
162272-12	CELLF-D	7,13	FL 2x54	G5	4450lm-4000K-Ra 1b	SANDBLASTED SILVER
162275-12	CELLF-D	9,10	FL 3x49	G5	4350lm-4000K-Ra 1b	SANDBLASTED SILVER
162276-12	CELLF-D	9,00	FL 3x54 constant	G5	4850lm-4000K-Ra 1b	SANDBLASTED SILVER
162270-00	CELLF-F	3,71	FL 2x24	G5	1750lm-4000K-Ra 1b	SANDBLASTED SILVER
162270-09	CELLF-E	4,23	FL 2x24	G5	1750lm-4000K-Ra 1b	SANDBLASTED SILVER
162271-00	CELLF-F	7,42	FL 2x49	G5	4350lm-4000K-Ra 1b	SANDBLASTED SILVER
162271-09	CELLF-E	8,38	FL 2x49	G5	4350lm-4000K-Ra 1b	SANDBLASTED SILVER
162272-00	CELLF-F	6,35	FL 2x54	G5	4450lm-4000K-Ra 1b	SANDBLASTED SILVER
162272-09	CELLF-E	6,75	FL 2x54	G5	4450lm-4000K-Ra 1b	SANDBLASTED SILVER
162274-00	CELLF-F	3,93	FL 3x24	G5	1750lm-4000K-Ra 1b	SANDBLASTED SILVER
162275-00	CELLF-F	6,73	FL 3x54 constant	G5	4850lm-4000K-Ra 1b	SANDBLASTED SILVER
162275-09	CELLF-E	9,60	FL 3x54 constant	G5	4850lm-4000K-Ra 1b	SANDBLASTED SILVER
162276-00	CELLF-F	8,14	FL 3x49	G5	4350lm-4000K-Ra 1b	SANDBLASTED SILVER
162276-09	CELLF-E	7,70	FL 3x49	G5	4350lm-4000K-Ra 1b	SANDBLASTED SILVER
162174-09	CELLF-E	5,50	FL 3x24	G5	1750lm-4000K-Ra 1b	Grey

### Accessories



- 996 adjustable bracket



- 945 - narrow beam 2-lamp reflector



- 133 - coupling for 60 diam. tubes



- 127 bracket