



990 Steel T5 - steel+glass

Housing: In pressed steel drawn in a single piece with high mechanical resistance. Complete with frame.

Reflector: In 2 micron thick, high-gloss, anodized aluminium, exceptional crosswise dimensions for high efficiency.

Painting: In polyester powder, RAL 7035 colour, upon phosphate treatment, resistant to corrosion and salty environments.

Lampholder: In polycarbonate, with contacts in phosphor bronze.

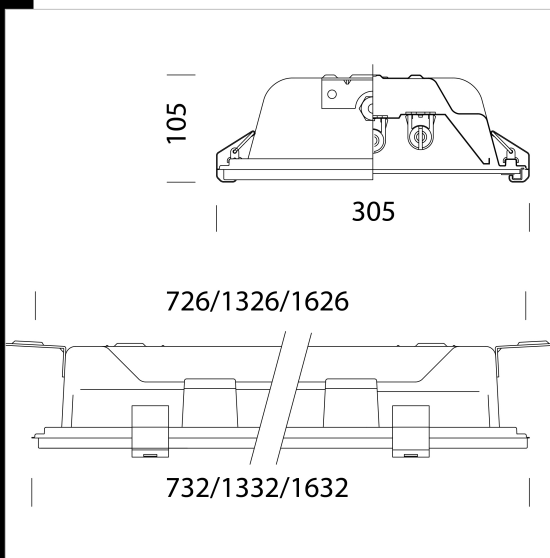
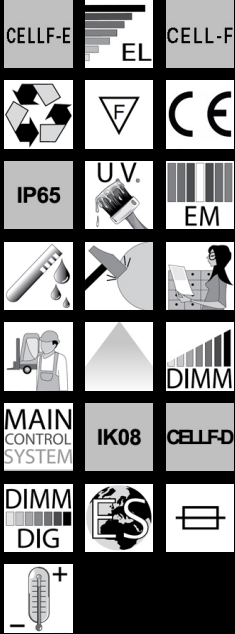
Electric gear: 230-240V/50Hz power supply. Hard wire 0.50 sqmm cross section, PVC-HT sheath, resistant up to 90° according to CEI 20-20 standards. 2P+T terminal block and max allowed lead cross section of 2.5 sqmm.

Equipment: 6.3 A protective fuse. Silicone rubber gasket. Fibreglass nylon cable gland Ø 1/2 gas thread. Complete with ceiling mounting brackets. When opened, the frame remains attached to the housing for easy maintenance

Regulations: Produced according to applicable EN60598-1 CEI 34-21 standards, IP65IK08 degree of protection according to EN 60529 standards. It has been granted the ENEC European Certificate of Conformity. Can be installed on normally inflammable surfaces.

Additional gear: Electronic ballast and emergency kit.

Emergency version: In the event of a blackout, one lamp connected to the emergency circuit remains on, thus avoiding the inconvenience usually caused by sudden power failure. Its emergency run time is 60 minutes. When power supply is restored, the battery recharges automatically.



Download
DXF 2D
- 990d.dxf
Montaggi
- grado di inclinazione.dxf
- steel_eterna.pdf

Code	Gear	Kg	Lumen-K-CRI	WTot	Base	Colour
162170-00	CELL-F	6.23	FL 2x24-1750lm-4000K-Ra 1b	49 W	G5	GREY
162158-00	CELL-F	12.00	FL 2x80-6550lm-4000k-Ra 1b	156 W	G5	GREY
162172-00	CELL-F	6.31	FL 3x24-1750lm-4000K-Ra 1b	79 W	G5	GREY
162172-09	CELLF-E	7.40	FL 3x24-1750lm-4000K-Ra 1b	82 W	G5	GREY
162173-09	CELLF-E	13.45	FL 3x49-4350lm-4000K-Ra 1b	170 W	G5	GREY
162157-09	CELLF-E	10.83	FL 2x54-4450lm-4000K-Ra 1b	113 W	G5	GREY
162157-12	CELLF-D	10.40	FL 2x54-4450lm-4000K-Ra 1b	115 W	G5	GREY
162159-00	CELL-F	10.59	FL 3x54 constant-4850lm-4000K-Ra 1b	168 W	G5	GREY
162171-12	CELLF-D	12.37	FL 2x49-4350lm-4000K-Ra 1b	106 W	G5	GREY
162171-09	CELLF-E	13.20	FL 2x49-4350lm-4000K-Ra 1b	115 W	G5	GREY
162170-09	CELLF-E	6.65	FL 2x24-1750lm-4000K-Ra 1b	52 W	G5	GREY
162171-00	CELL-F	12.37	FL 2x49-4350lm-4000K-Ra 1b	111 W	G5	GREY
162173-12	CELLF-D	17.20	FL 3x49-4350lm-4000K-Ra 1b	160 W	G5	GREY
162159-09	CELLF-E	11.19	FL 3x54 constant-4850lm-4000K-Ra 1b	172 W	G5	GREY
162160-00	CELL-F	12.97	FL 3x80 constant-6800lm-4000K-Ra 1b	257 W	G5	GREY
162159-12	CELLF-D	10.59	FL 3x54 constant-4850lm-4000K-Ra 1b	173 W	G5	GREY
162157-00	CELL-F	11.80	FL 2x54-4450lm-4000K-Ra 1b	109 W	G5	GREY
162173-00	CELL-F	12.47	FL 3x49-4350lm-4000K-Ra 1b	165 W	G5	GREY

Accessories



- 996 adjustable bracket



- 945 - narrow beam 2-lamp reflector



- 133 - coupling for 60 diam. tubes



- 127 bracket

The reported luminous flux is the flux emitted by the light source with a tolerance of ± 10% compared to the indicated value. The W tot column indicates the total wattage absorbed by the system without exceeding 10% of the indicated