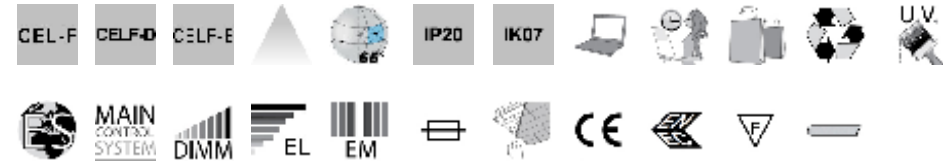
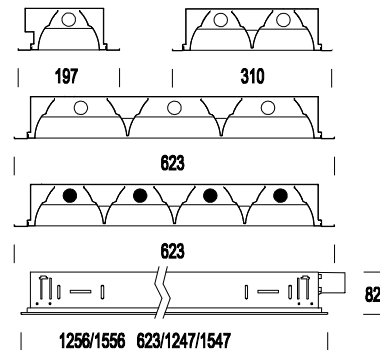
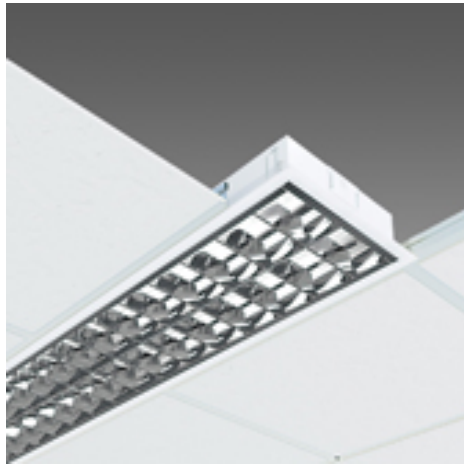


## 874 Comfort T8 - high-gloss 99.99



Code	Gear	Kg	Colour	Dimensions	lamp
151301-0041	CEL-D-D	3.40	white	1256x197x82	FL 1x36-G13-3350lm-4000K-Ra 1b
151302-0041	CEL-D-D	4.00	white	1556x197x82	FL 1x58-G13-5200lm-4000K-Ra 1b
151304-0041	CEL-D-D	2x36	white	1247x310x82	FL 2x36-G13-3350lm-4000K-Ra 1b
151305-0041	CEL-D-D	6.40	white	1547x310x82	FL 2x58-G13-5200lm-4000K-Ra 1b
151306-0041	CEL-D-D	4.60	white	623x623x82	FL 3x18-G13-1350lm-4000K-Ra 1b
151307-0041	CEL-D-D	4.90	white	623x623x82	FL 4x18-G13-1350lm-4000K-Ra 1b
151301-08	CEL-F	3.40	white	1256x197x82	FL 1x36-G13-3350lm-4000K-Ra 1b
151302-08	CEL-F	4.00	white	1556x197x82	FL 1x58-G13-5200lm-4000K-Ra 1b
151303-08	CEL-F	2.60	white	623x310x82	FL 2x18-G13-1350lm-4000K-Ra 1b
151304-08	CEL-F	4.20	white	1247x310x82	FL 2x36-G13-3350lm-4000K-Ra 1b
151305-08	CEL-F	5.00	white	1547x310x82	FL 2x58-G13-5200lm-4000K-Ra 1b
151306-08	CEL-F	3.90	white	623x623x82	FL 3x18-G13-1350lm-4000K-Ra 1b
151307-08	CEL-F	4.00	white	623x623x82	FL 4x18-G13-1350lm-4000K-Ra 1b
151301-09	CELF-E	4.00	white	1256x197x82	FL 1x36-G13-3350lm-4000K-Ra 1b
151302-09	CELF-E	4.60	white	1556x197x82	FL 1x58-G13-5200lm-4000K-Ra 1b
161303-09	CELF-E	3.20	white	623x310x82	FL 2x18-G13-1350lm-4000K-Ra 1b
151304-09	CELF-E	4.80	white	1247x310x82	FL 2x36-G13-3350lm-4000K-Ra 1b
151305-09	CELF-E	5.60	white	1547x310x82	FL 2x58-G13-5200lm-4000K-Ra 1b
151306-09	CELF-E	4.50	white	623x623x82	FL 3x18-G13-1350lm-4000K-Ra 1b
151307-09	CELF-E	4.60	white	623x623x82	FL 4x18-G13-1350lm-4000K-Ra 1b
151301-12	CELF-D	3.40	white	1256x197x82	FL 1x36-G13-3350lm-4000K-Ra 1b

Code	Gear	Kg	Colour	Dimensions	lamp
151302-12	CELF-D	4.00	white	1556x197x82	FL 1x58-G13-5200lm-4000K-Ra 1b
151303-12	CELF-D	2.60	white	623x310x82	FL 2x18-G13-1350lm-4000K-Ra 1b
150304-12	CELF-D	4.20	white	1256x623x82	FL 2x36-G13-3350lm-4000K-Ra 1b
151305-12	CELF-D	5.00	white	1547x310x82	FL 2x58-G13-5200lm-4000K-Ra 1b
151306-12	CELF-D	3.90	white	623x623x82	FL 3x18-G13-1350lm-4000K-Ra 1b
151307-12	CELF-D	4.00	white	623x623x82	FL 4x18-G13-1350lm-4000K-Ra 1b

Housing: in steel sheet.

Louvre: Dark light double parabolic louvres, in high-gloss plated aluminium 99.99. Anti-dazzle and anti-iridescence, very low luminance. PVD treatment.

Coating: acrylic anionic electrocoating, white, UV-stabilized Electric gear: automatic line and 100% tested on the line. 230V/50Hz (CNR) power supply. Hard wire, 0.50 sq mm cross section and PVC-HT sheath resistant up to 90°, according to CEI 20-20 standards. Quick connector +T with maximum allowed lead cross section of 2.5 sq mm.

Equipment: Snap fastening optics, which remain attached by safety cords. 6.3A protection fuse.

Supplied without brackets for contact mounting on the cross T structure. When not contact mounted, use brackets, acc. 901 or acc. 898/899 for 1x36/58.

Regulations: Produced according to applicable EN60598-1 CEI 34-21 standards, degree of protection according to EN 60529 standards.