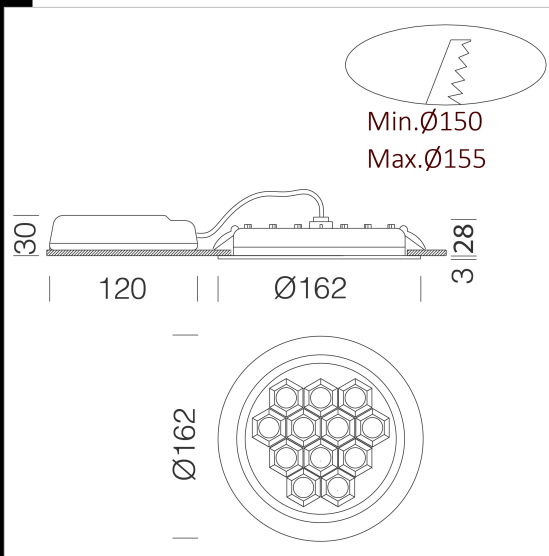


911 Health Dark UGR<19 - ø162



Body: in die-cast aluminium  
 Lens: in PMMA lens with high efficiency output and very low glare rate. Dark light Screen: in anti-glare metalized plastic material. Coating: epoxy powder coating in UV resistant polyester  
 Equipment: spotlights are equipped with zinc-coated steel support brackets with housing for springs to clamp the fixture to the false ceiling  
 UGR glare index: UGR<19 (in any situation) - EN 12464.  
 LED power factor: 0.9  
 80% lumen maintenance: 50,000h (L80B20)  
 Photobiological safety class: exempt group.



| Code      | Gear | Kg   | Lumen Output-K-CRI      | WTot | Colour |
|-----------|------|------|-------------------------|------|--------|
| 156476-00 | CLD  | 0,55 | LED-3200lm-4000K-CRI 80 | 26 W | WHITE  |

The reported luminous flux is the flux emitted by the light source with a tolerance of ± 10% compared to the indicated value. The W tot column indicates the total wattage absorbed by the system without exceeding 10% of the indicated