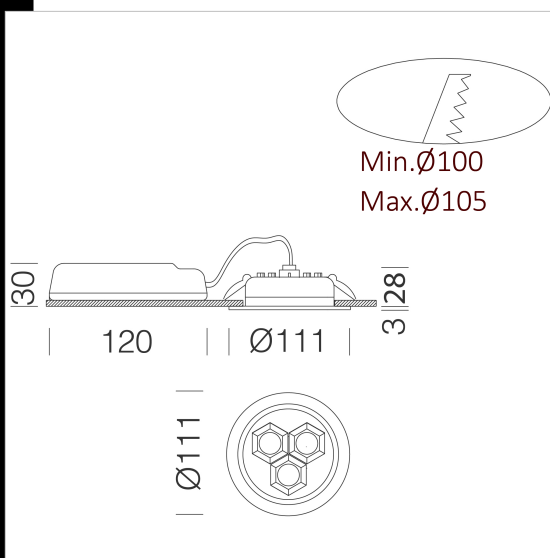


911 Health Dark UGR<19 - ø111

Body: in die-cast aluminium
 Lens: in PMMA lens with high efficiency output and very low glare rate. Dark light Screen: in anti-glare metalized plastic material. Coating: epoxy powder coating in UV resistant polyester
 Equipment: spotlights are equipped with zinc-coated steel support brackets with housing for springs to clamp the fixture to the false ceiling
 UGR glare index: UGR<19 (in any situation) - EN 12464.
 LED power factor: 0.9
 80% lumen maintenance: 50,000h (L80B20)
 Photobiological safety class: exempt group.



Code	Gear	Kg	Lumen Output-K-CRI	WTot	Colour
156474-00	CLD	0,55	LED-1000lm-4000K-CRI 80	8 W	WHITE



Download
 DXF 2D
 - heal111.dxf

The reported luminous flux is the flux emitted by the light source with a tolerance of ± 10% compared to the indicated value. The W tot column indicates the total wattage absorbed by the system without exceeding 10% of the indicated