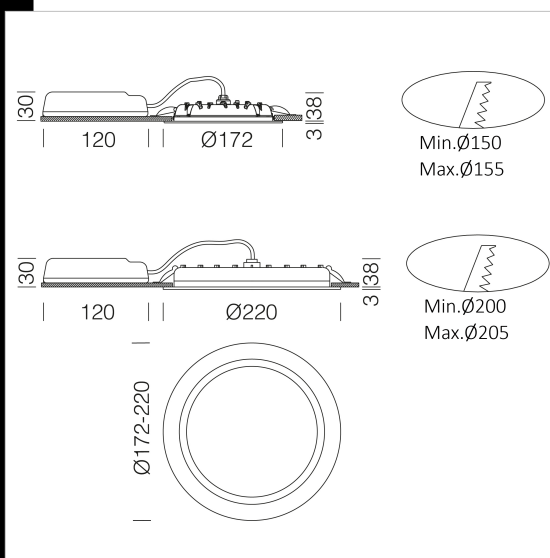


910 Health

Body: in die-cast aluminium
 Shield: in plastic anti-glare material
 Coating: epoxy powder coating in UV resistant polyester
 Equipment: spotlights are equipped with zinc-coated steel support brackets with housing for springs to clamp the fixture to the false ceiling
 LED power factor: 0.9
 80% lumen maintenance: 50,000h (L80B20)
 Photobiological safety class: exempt group.



Code	Gear	Kg	Lumen Output-K-CRI	WTot	Colour
156471-00	CLD	0,55	LED-1700lm-4000K-CRI 90	15 W	WHITE
156470-00	CLD	0,55	LED-2640lm-4000K-CRI 90	22 W	WHITE
156471-39	CLD	0,55	LED-1581lm-3000K-CRI 90	15 W	WHITE
156470-39	CLD	0,51	LED-2455lm-3000K-CRI 90	22 W	WHITE



Download

DXF 2D
 - health21.dxf
 Montaggi
 - health 01-21.pdf
 BIM
 - 910 Health - 20200224.zip

The reported luminous flux is the flux emitted by the light source with a tolerance of $\pm 10\%$ compared to the indicated value. The W tot column indicates the total wattage absorbed by the system without exceeding 10% of the indicated