

885 Compact Dark 2 - SMD - UGR<19

The lighting of transit areas (stairs, corridors, entrances) as well as workplaces (public buildings, offices, hotels and restaurants), must not be taken for granted for both functional and aesthetic reasons. If well-illuminated, the spaces open to the general public or residential environments convey a sense of safety and wellbeing.

Robust and high-quality recessed spotlights, like the one of the Compact family by Disano, are the ideal solution: easy to fit into any space, they guarantee maximum efficiency and long life.

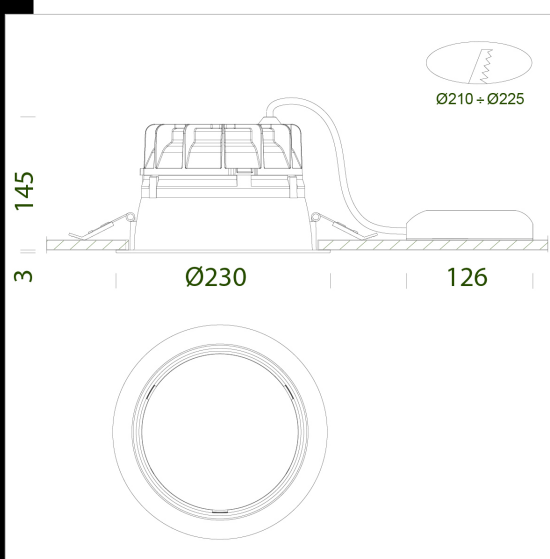
Now Disano's Compact range of lighting fixtures includes Compact Dark, a version especially designed for work environments: it is characterised for the optics in metalized anti-glare aluminium optics and latest generation high-efficiency LED sources.

The excellent quality of the LED light, with extraordinary colour rendering, combines with the "low flicker" mark to guarantee stable light with a very low flickering.

The Compact spotlights can be equipped with lighting control and management systems, such as presence detectors and remote controllers to increase energy-efficiency and operating life, cutting out energy waste and unnecessary costs.

Housing-reflector: in shatterproof self-extinguishing V0 polycarbonate, metalized with high-grade aluminium powers and equipped with anti-reflexion and anti-glare optics. The wide perimeter border on the false ceiling has white coloured photogravure finishing. Springs for false ceiling mounting are made in galvanised steel wire. Lamp shielding angle of 65°. Shield: in shatterproof, self-extinguishing transparent V0 polycarbonate. Internal micro-lenticular film and glass shielding of UGR<19. Internal reflector: in white self-extinguishing V0 polycarbonate with polished finishing. Heat sink: black-coated die-cast aluminium with integrated cooling fins. Coating: UV epoxy polyester power coating. UGR glare index: UGR<19 (in any situation). - EN 12464

LED: Power factor 0,92. Luminous flux maintenance 90%: 55.000h (L80B20). Photobiological safety class: Exempt group.



Code	Gear	Kg	Lumen Output-K-CRI	WTot	Colour
156460-00	CLD	0,37	LED-1653lm-4000K-CRI 80	10 W	WHITE
156461-00	CLD	0,37	LED-2274lm-4000K-CRI 80	14 W	WHITE
156462-00	CLD	0,37	LED-3108lm-4000K-CRI 80	20 W	WHITE
156460-07	CLD-E	1,48	LED-1653lm-4000K-CRI 80	13 W	WHITE
156461-07	CLD-E	1,50	LED-2274lm-4000K-CRI 80	17 W	WHITE
156462-07	CLD-E	1,51	LED-3108lm-4000K-CRI 80	23 W	WHITE



Download

- DXF 2D
- cdark.dxf
- Montaggi
- 885 10-21.pdf
- BIM
- 885 Compact Dark 2 - SMD - 20200214.zip

The reported luminous flux is the flux emitted by the light source with a tolerance of ± 10% compared to the indicated value. The W tot column indicates the total wattage absorbed by the system without exceeding 10% of the indicated