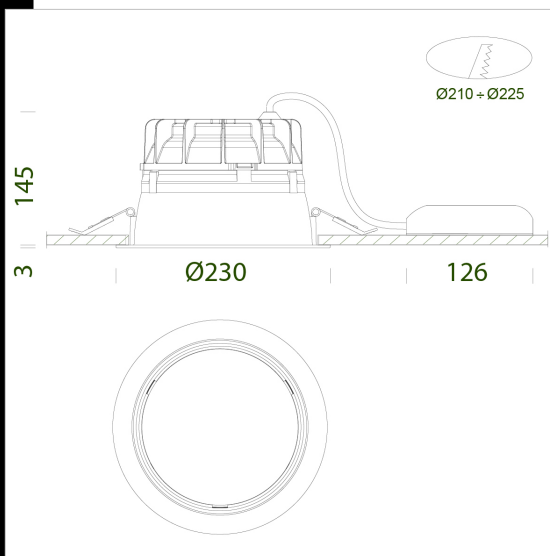


885 Compact Dark HCL - WIRELESS



Housing-reflector: in shatterproof self-extinguishing V0 polycarbonate, metalized with high-grade aluminium powers and equipped with anti-reflexion and anti-glare optics. The wide perimeter border on the false ceiling has white coloured photogravure finishing. Springs for false ceiling mounting are made in galvanized steel wire. Lamp shielding angle of 65°. Shield: in shatterproof, self-extinguishing transparent V0 polycarbonate. Internal micro-lenticular film and glass shielding of UGR<19. Internal reflector: in white self-extinguishing V0 polycarbonate with polished finishing. Heat sink: black-coated die-cast aluminium with integrated cooling fins. Coating: UV epoxy polyester power coating. UGR glare index: UGR<19 (in any situation). - EN 12464. LED: Power factor 0,92. Luminous flux maintenance 90%: 55.000h (L90B10). Photobiological safety class: Exempt group. The Dynamic White function allows adjusting the colour temperature from 2700K to 6500K to create a sense of the passing of time (circadian rhythm) and to set the mood and ambiance of a space according to our daily activities. Circadian lighting obtained with the Dynamic White function is the best solution to implement Human Centric Lighting (HCL) in classrooms, university campuses, offices and hospitals where lights can mimic the natural trend of daylight throughout the entire day.

- Colour temperature adjustment range from 2700K to 6500K on a linear scale
  - MacAdams 3 • Full 3% to 100% dimming range • Switch-off fading • <4% flicker • Constant colour temperature over the entire dimming range
  - LED driver that automatically adjusts lights to the desired colour temperature and the required luminous flux
- ADVANTAGES:**
- Simulation of daylight throughout the day
  - Increased concentration, productivity and visual wellbeing
  - Circadian cycle: colour changes automatically based on time and daylight



Code	Gear	Kg	Lumen Output-K-CRI	WTot	Colour
156451-89	CLD CELL-D-D	1,10	LED HCL-2360lm-2700K - 6500K-CRI 80	24 W	WHITE



Download  
DXF 2D  
- cdark.dxf

The reported luminous flux is the flux emitted by the light source with a tolerance of ± 10% compared to the indicated value. The W tot column indicates the total wattage absorbed by the system without exceeding 10% of the indicated