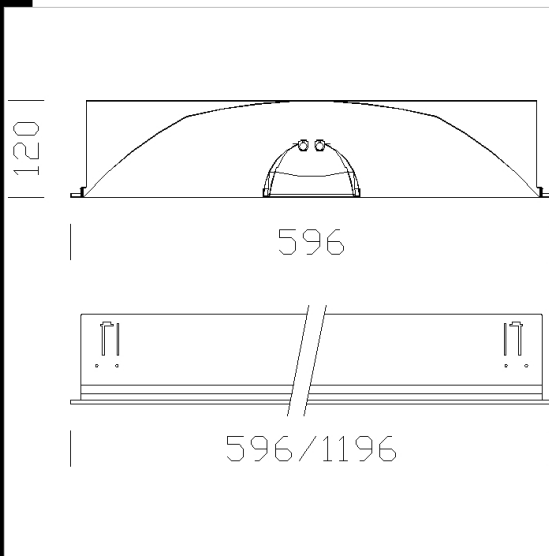


916 Ibis



Housing: In sheet steel.
 Reflector: In matt aluminium.
 Louvre: double longitudinal and transversal parabolic in low luminance 2µ matt anodised aluminium. The upper part is in anti-iridescent, low luminance matt aluminium.
 Painting: with white acrylic powder coating, UV-stabilized, anti-yellowing, upon phosphate treatment.
 Electric gear: 230V/50Hz power supply with ballast.
 Equipment: 3.15° protection fuse. Supplied without brackets for contact mounting on the cross T structure. When not contact mounted, use acc. 900 brackets.
 Mounting: Recessed.
 Regulations: Produced according to the applicable EN 60598-1 CEI 34-21 standards.
 Dimming electronics: on specific request by the customer.

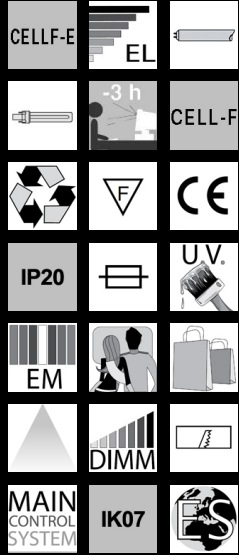


Code	Gear	Kg	Lumen-K-CRI	WTot	Base	Colour
154011-07	CELLF-E	8.00	FL 2x28-2650lm-4000K-Ra 1b	64 W	G5	BIANCO
154010-07	CELLF-E	4.70	FL 2x20-1650lm-4000K-Ra 86	53 W	G5	BIANCO
154011-00	CELL-F	7.56	FL 2x28-2650lm-4000K-Ra 1b	60 W	G5	BIANCO
154012-00	CELL-F	7.82	FL 2x54-4450lm-4000K-Ra 1b	120 W	G5	BIANCO
154010-00	CELL-F	4.19	FL 2x20-1650lm-4000K-Ra 86	49 W	G5	BIANCO
154012-07	CELLF-E	8.00	FL 2x54-4450lm-4000K-Ra 1b	124 W	G5	BIANCO
154013-00	CELL-F	4.65	FLC 2x55L-4800lm-4000K-Ra 1b	98 W	2G11	BIANCO

Accessories



- 900 adjustable bracket



Download

- DXF 2D
- 916.dxf
- 3DS
- 916_2x28.3ds
- 3DM
- 916_2x28.3dm
- Montaggi
- 915_6_8_ibis.pdf

The reported luminous flux is the flux emitted by the light source with a tolerance of ± 10% compared to the indicated value. The W tot column indicates the total wattage absorbed by the system without exceeding 10% of the indicated