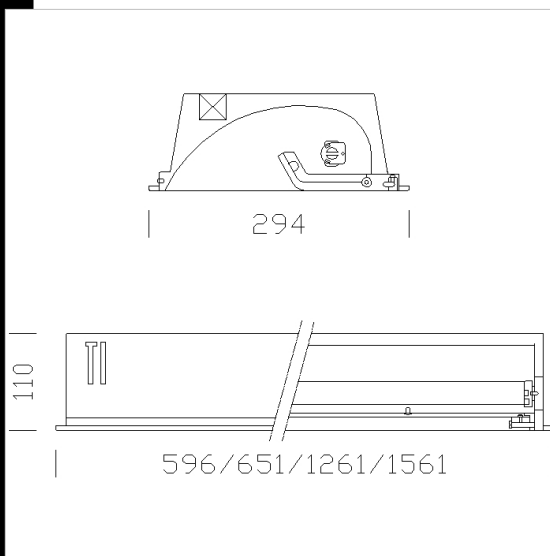


## 807 Wallwasher



Housing: In sheet steel.  
 Reflector: asymmetric in matt low-luminance aluminium.  
 Diffuser: with micropunched steel diffuser complete with anti-dazzle opal diffuser.  
 Painting: The housing and the reflector are painted with white epoxy-polyester powder coating, UV-stabilized.  
 Lampholder: In polycarbonate, with contacts in phosphor bronze. Sockets 2G11; G13.  
 Electric gear: 230V/50Hz power supply. Hard wire, 0.50 sqmm cross section and PVC-HT sheath, resistant up to 90°C, according to CEI 20-20 standards. 2P + T terminal block, with maximum allowed lead cross section of 2.5 sqmm.  
 Equipment: 6.3 A fuse. Supplied without brackets for contact mounting on the cross T structure. When not contact mounted, use acc. 900 brackets.  
 Mounting: Recessed.  
 Regulations: Produced according to applicable EN60598-1 CEI 34-21 standards, IP40IK08 degree of protection according to EN 60529 standards. Moreover, these products can be installed on normally inflammable surfaces.



Code	Gear	Kg	Watt	Base	Lamps	Colour
153124-08	CEL-F	6.80	FL 1x36	G13	3350lm-4000K-Ra 1b	WHITE
153122-00	CELL-F	3.41	FLC 1x55L	2G11	4800lm-4000K-Ra 1b	WHITE
153125-08	CEL-F	8.80	FL 1x58	G13	5200lm-4000K-Ra 1b	WHITE

### Accessories



- 900 adjustable bracket



### Download

- DXF 2D  
- d807.dxf
- 3DS  
- 807\_wallwasher\_1x55.3ds
- 3DM  
- 807\_wallwasher\_1x55.3dm
- Montaggi  
- ap\_ott.dxf  
- ass\_inc.dxf  
- morsa.dxf  
- 707\_807\_wallwasher.pdf  
- int\_inc.dxf  
- staffa.dxf