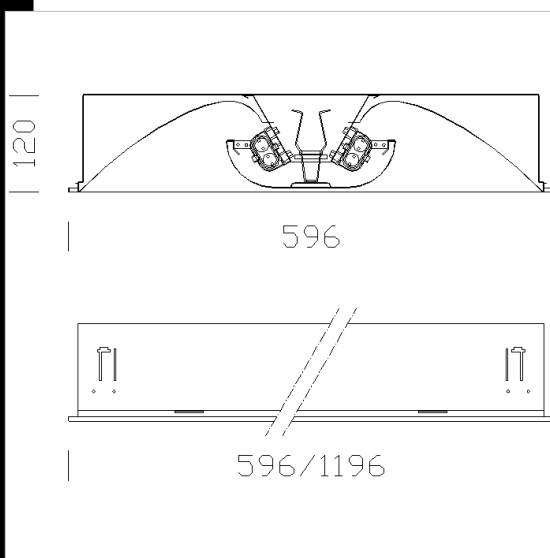


808 Gabbiano



Housing: In sheet steel.
 Reflector: in anti-glare matt white aluminium.
 Diffuser: protruding hemisphere in micro-punched sheet steel, with end caps in white polycarbonate and opal anti-dazzle diffuser.
 Painting: The housing and the reflector are painted white by UV-stabilized, anti-yellowing, acrylic anionic electrocoating.
 Lampholder: In polycarbonate, with contacts in phosphor bronze. Socket 2G11.
 Electric gear: 230V/50Hz power supply. Hard wire, 0.50 sqmm cross section and PVC-HT sheath, resistant up to 90°C, according to CEI 20-20 standards. 2P + T terminal block, with maximum allowed lead cross section of 2.5 sqmm.
 Equipment: 6.3 A fuse. Supplied without brackets for contact mounting on the cross T structure. When not contact mounted, use acc. 900 brackets.
 Mounting: Recessed.
 Regulations: Produced according to applicable EN60598-1 CEI 34-21 standards, IP40IK07 degree of protection according to EN 60529 standards. Moreover, these products can be installed on normally inflammable surfaces.



Code	Gear	Kg	Lumen-K-CRI	WTot	Base	Colour
153020-08	CELL-F	6.73	FLC 2x36L-2900lm-4000K-Ra 1b	73 W	2G11	BIANCO
153021-07	CELLF-E	6.63	FLC 2x55L-4800lm-4000K-Ra 1b	101 W	2G11	BIANCO
153024-00	CELL-F	11.00	FL 2x54-4450lm-4000K-Ra 1b	120 W	G5	BIANCO
153024-09	CELLF-E	11.50	FL 2x54-4450lm-4000K-Ra 1b	124 W	G5	BIANCO
153021-00	CELL-F	5.83	FLC 2x55L-4800lm-4000K-Ra 1b	98 W	2G11	BIANCO

Accessories



- 900 adjustable bracket



Download

- DXF 2D
- d808.dxf
- 3DS
- 808_gabbiano.3ds
- 3DM
- 808_gabbiano.3dm
- Montaggi
- mor_fus.dxf
- int_inc.dxf
- ap_ot.dxf
- 708_808_gabbiano.pdf
- st_inc.dxf
- tassello.dxf

The reported luminous flux is the flux emitted by the light source with a tolerance of $\pm 10\%$ compared to the indicated value. The W tot column indicates the total wattage absorbed by the system without exceeding 10% of the indicated