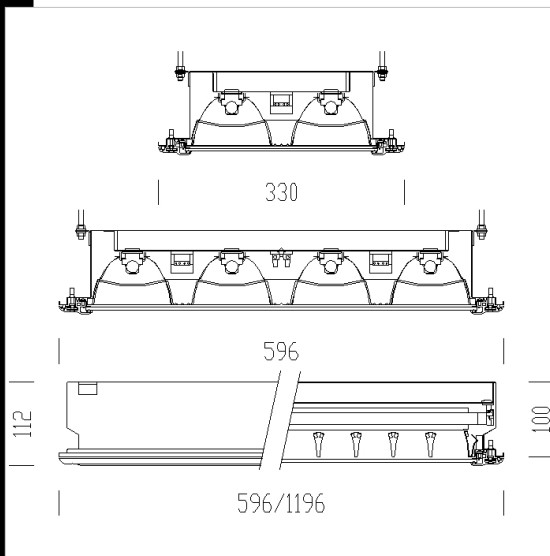
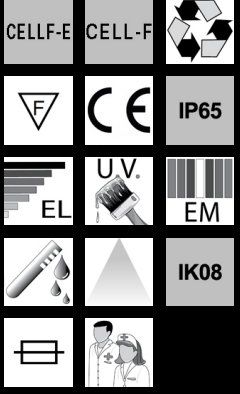




843 Ermetica - matt louvre + glass

HOUSING: In pressed steel.
LOUVRE: Dark light double parabolic louvres, lengthwise and crosswise in high-gloss, plated aluminium, anti-glare and anti-iridescence, very low luminance 60°.
DIFFUSER: 4 mm thick tempered protective glass.
PAINTING: With white polyester powder, UV-stabilized for aseptic environments. Anodised aluminium coloured frame.
LAMPHOLDER: In white polycarbonate with phosphate bronze contacts.
ELECTRIC GEAR: 230V/50Hz power supply with electronic ballast. Hard wire 0.50 sqmm cross section, and PVC-HT sheath, resistant up to 90°C, according to CEI 20-20 standards. 2P + T terminal block, with maximum allowed lead cross section of 2.5 sqmm.
EQUIPMENT: 6.3 A protection fuse. Complete with frame and gasket.
REGULATIONS: Manufactured according to applicable EN60598-1 CEI 34-21 standards, IP65IK08 degree of protection according to EN 60529 standards. They can be installed on normally inflammable surfaces.
EMERGENCY LIGHT VERSION: In the event of a black out, only one lamp connected to the emergency circuit will remain on (maintained version), thus avoiding the inconvenience usually caused by the sudden absence of light. Its emergency run time is 60 mins. When power is restored, the battery recharges automatically.



Download

DXF 2D
- 843.dxf
Montaggi
- 843_ermetica.pdf

Code	Gear	Kg	Lumen-K-CRI	WTot	Base	Colour
152074-00	CELL-F	20.89	FL 4x28-2650lm-4000K-Ra 1b	120 W	G5	ANODIZZATO
152075-00	CELL-F	20.45	FL 4x54-4450lm-4000K-Ra 1b	218 W	G5	ANODIZZATO
152075-07	CELLF-E	21.00	FL 4x54-4450lm-4000K-Ra 1b	222 W	G5	ANODIZZATO

The reported luminous flux is the flux emitted by the light source with a tolerance of ± 10% compared to the indicated value. The W tot column indicates the total wattage absorbed by the system without exceeding 10% of the indicated