

## 814 Comfort - prismatic diffuser

Housing: In sheet steel.

Diffuser: In prismatic, antidazzle, injection moulded, plexiglass.

Painting: By acrylic anionic electrocoating, white, UV-stabilized, anti-yellowing, upon phosphate treatment.

Lampholder: In polycarbonate, with contacts in phosphor bronze. Socket G13.

Electric gear: 230V/50Hz power supply. Hard wire, 0.50 sqmm cross section, and PVC-HT sheath, resistant up to 90°C, according to CEI 20-20 standards. 2P+T terminal block, with maximum allowed lead cross section of 2.5 sqmm.

Mounting: In module 600 panels.

Equipment: Safety spring to prevent diffuser from falling.

Regulations: Produced according to applicable EN60598-1 CEI 34-21 standards, IP20/IK07 degree of protection according to EN 60529 standards.

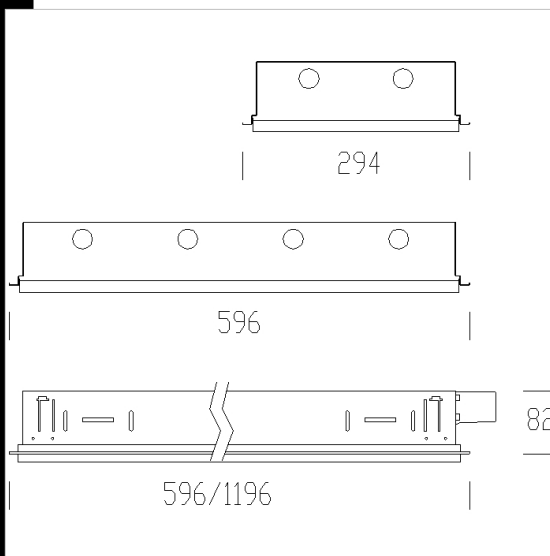
They have obtained the ENEC European Certificate of Conformity. These products can be installed on normally inflammable surfaces.

Additional gear: Electronic ballast.

### Download

DXF 2D  
- 814.dxf

Montaggi  
- 811\_4.dxf



Code	Gear	Kg	Watt	Base	Lamps	Colour
152048-51	CEL-E	0,00	FL 4x36	G13	3350lm-4000K-Ra 1b	WHITE
152047-51	CEL-E	4,09	FL 4x18	G13	1350lm-4000K-Ra 1b	WHITE
152045-08	CEL	2,59	FL 2x18	G13	1350lm-4000K-Ra 1b	WHITE
152046-09	CEL-E	4,90	FL 2x36	G13	3350lm-4000K-Ra 1b	WHITE
152046-08	CEL	5,01	FL 2x36	G13	3350lm-4000K-Ra 1b	WHITE
152047-08	CEL	4,09	FL 4x18	G13	1350lm-4000K-Ra 1b	WHITE
152048-08	CEL	9,00	FL 4x36	G13	3350lm-4000K-Ra 1b	WHITE

### Accessories



- 901 adjustable bracket