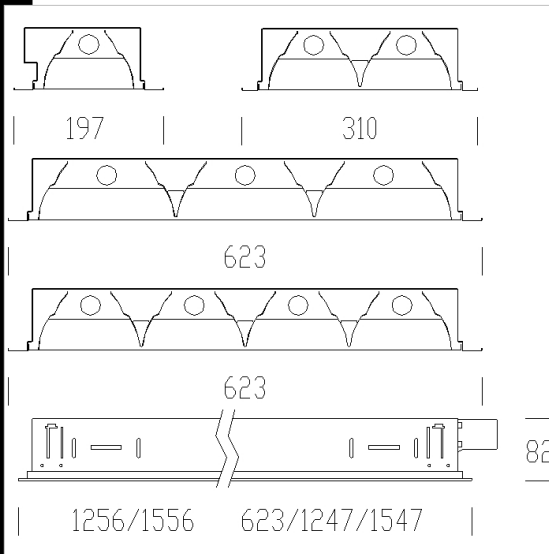


874 Comfort T8 - high-gloss 99.99



Housing: in steel sheet.
Louvre: Dark light double parabolic louvres, in high-gloss plated aluminium 99.99. Anti-dazzle and anti-iridescence, very low luminance. PVD treatment.
Coating: acrylic anionic electrocoating, white, UV-stabilized
Electric gear: automatic line and 100% tested on the line. 230V/50Hz (CNR) power supply.
Hard wire, 0.50 sq mm cross section and PVC-HT sheath resistant up to 90°, according to CEI 20-20 standards. Quick connector +T with maximum allowed lead cross section of 2.5 sq mm.
Equipment: Snap fastening optics, which remain attached by safety cords. 6.3A protection fuse.
Supplied without brackets for contact mounting on the cross T structure. When not contact mounted, use brackets, acc. 901 or acc. 898/899 for 1x36/58.
Regulations: Produced according to applicable EN60598-1 CEI 34-21 standards, degree of protection according to EN 60529 standards.



EL CELF-E

IP20 CEL-F U.V.

EM

DIMM

MAIN CONTROL SYSTEM CELF-D IK07

UGR<19

65°

Download
DXF 2D
- 874.dxf
3DS
- 874_2x36.3ds
3DM
- 874_2x36.3dm
Montaggi
- comfort8.pdf

Code	Gear	Kg	Lumen-K-CRI	WTot	Base	Colour
151301-08	CEL-F	3.40	FL 1x36-3350lm-4000K-Ra 1b	37 W	G13	WHITE
151304-09	CELF-E	5.50	FL 2x36-3350lm-4000K-Ra 1b	73 W	G13	WHITE
151305-09	CELF-E	6.50	FL 2x58-5200lm-4000K-Ra 1b	116 W	G13	WHITE
151303-08	CEL-F	2.60	FL 2x18-1350lm-4000K-Ra 1b	38 W	G13	WHITE
151304-08	CEL-F	5.00	FL 2x36-3350lm-4000K-Ra 1b	70 W	G13	WHITE
151307-09	CELF-E	4.10	FL 4x18-1350lm-4000K-Ra 1b	76 W	G13	WHITE
151301-0041	CELF-D-D	3.08	FL 1x36-3350lm-4000K-Ra 1b	35 W	G13	WHITE
151304-0041	CELF-D-D	4.04	FL 2x36-3350lm-4000K-Ra 1b	70 W	G13	WHITE
151305-0041	CELF-D-D	4.70	FL 2x58-5200lm-4000K-Ra 1b	108 W	G13	WHITE
151307-08	CEL-F	3.61	FL 4x18-1350lm-4000K-Ra 1b	73 W	G13	WHITE
151301-09	CELF-E	3.90	FL 1x36-3350lm-4000K-Ra 1b	40 W	G13	WHITE
151304-12	CELF-D	3.96	FL 2x36-3350lm-4000K-Ra 1b	74 W	G13	WHITE
151302-09	CELF-E	5.00	FL 1x58-5200lm-4000K-Ra 1b	59 W	G13	WHITE
151302-12	CELF-D	4.50	FL 1x58-5200lm-4000K-Ra 1b	55 W	G13	WHITE
151303-12	CELF-D	2.60	FL 2x18-1350lm-4000K-Ra 1b	41 W	G13	WHITE
151305-12	CELF-D	5.00	FL 2x58-5200lm-4000K-Ra 1b	110 W	G13	WHITE
151307-12	CELF-D	3.67	FL 4x18-1350lm-4000K-Ra 1b	76 W	G13	WHITE
151301-12	CELF-D	3.10	FL 1x36-3350lm-4000K-Ra 1b	36 W	G13	WHITE
151306-09	CELF-E	5.00	FL 3x18-1350lm-4000K-Ra 1b	58 W	G13	WHITE
151302-08	CEL-F	4.50	FL 1x58-5200lm-4000K-Ra 1b	56 W	G13	WHITE
151305-08	CEL-F	6.00	FL 2x58-5200lm-4000K-Ra 1b	113 W	G13	WHITE
151306-12	CELF-D	4.50	FL 3x18-1350lm-4000K-Ra 1b	67 W	G13	WHITE
151302-0041	CELF-D-D	3.88	FL 1x58-5200lm-4000K-Ra 1b	54 W	G13	WHITE
151307-0041	CELF-D-D	3.75	FL 4x18-1350lm-4000K-Ra 1b	79 W	G13	WHITE
151306-0041	CELF-D-D	4.00	FL 3x18-1350lm-4000K-Ra 1b	67 W	G13	WHITE
151306-08	CEL-F	4.50	FL 3x18-1350lm-4000K-Ra 1b	55 W	G13	WHITE
151303-09	CELF-E	2.58	FL 2x18-1350lm-4000K-Ra 1b	41 W	G13	WHITE

The reported luminous flux is the flux emitted by the light source with a tolerance of ± 10% compared to the indicated value. The W tot column indicates the total wattage absorbed by the system without exceeding 10% of the indicated

Accessories

Accessories



- 203 Fuse



- 320 steel safety cord



- 898 adjustable bracket



- 901 adjustable bracket

The reported luminous flux is the flux emitted by the light source with a tolerance of $\pm 10\%$ compared to the indicated value. The *W tot* column indicates the total wattage absorbed by the system without exceeding 10% of the indicated