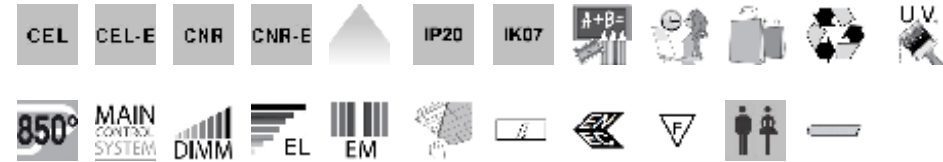
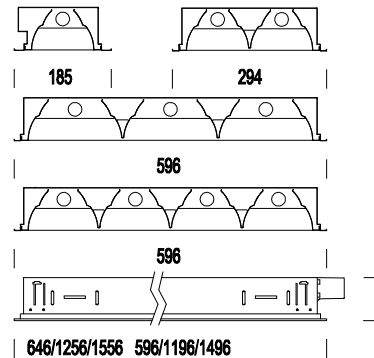


877 Comfort T8 - matt scored



Code	Gear	Kg	Colour	Dimensions	lamp
151662-00	CNR	2.50	white	646x185x100	FL 1x18-G13-1350lm-4000K-Ra 1b
151640-00	CNR	4.30	white	1256x185x100	FL 1x36-G13-3350lm-4000K-Ra 1b
151641-00	CNR	5.60	white	1556x185x100	FL 1x58-G13-5200lm-4000K-Ra 1b
151644-00	CNR	3.30	white	596x294x100	FL 2x18-G13-1350lm-4000K-Ra 1b
151645-00	CNR	6.10	white	1196x294x100	FL 2x36-G13-3350lm-4000K-Ra 1b
151646-00	CNR	7.70	white	1496x294x100	FL 2x58-G13-5200lm-4000K-Ra 1b
151650-00	CNR	5.80	white	596x596x100	FL 4x18-G13-1350lm-4000K-Ra 1b
151651-00	CNR	11.00	white	1196x596x100	FL 4x36-G13-3350lm-4000K-Ra 1b
151680-00	CNR-E	5.30	white	1256x185x100	FL 1x36-G13-3350lm-4000K-Ra 1b
151681-00	CNR-E	6.60	white	1556x185x100	FL 1x58-G13-5200lm-4000K-Ra 1b
151644-07	CNR-E	4.30	white	596x185x100	FL 2x18-G13-1350lm-4000K-Ra 1b
151695-00	CNR-E	7.10	white	1196x294x100	FL 2x36-G13-3350lm-4000K-Ra 1b
151696-00	CNR-E	8.70	white	1496x294x100	FL 2x58-G13-5200lm-4000K-Ra 1b
151690-00	CNR-E	6.80	white	596x596x100	FL 4x18-G13-1350lm-4000K-Ra 1b
151691-00	CNR-E	12.00	white	1196x596x100	FL 4x36-G13-3350lm-4000K-Ra 1b
151620-00	CEL	3.30	white	1256x185x100	FL 1x36-G13-3350lm-4000K-Ra 1b
151621-00	CEL	4.60	white	1556x185x100	FL 1x58-G13-5200lm-4000K-Ra 1b
151624-00	CEL	2.30	white	596x294x100	FL 2x18-G13-1350lm-4000K-Ra 1b
151635-00	CEL	5.10	white	1196x294x100	FL 2x36-G13-3350lm-4000K-Ra 1b
151636-00	CEL	6.70	white	1496x294x100	FL 2x58-G13-5200lm-4000K-Ra 1b
151630-00	CEL	4.80	white	596x596x100	FL 4x18-G13-1350lm-4000K-Ra 1b

Code	Gear	Kg	Colour	Dimensions	lamp
151631-00	CEL	10.00	white	1196x596x100	FL 4x36-G13-3350lm-4000K-Ra 1b
151620-51	CEL-D	3.30	white	1256x185x100	FL 1x36-G13-3350lm-4000K-Ra 1b
151621-51	CEL-D	4.60	white	1556x185x100	FL 1x58-G13-5200lm-4000K-Ra 1b
151624-51	CEL-D	2.30	white	596x294x100	FL 2x18-G13-1350lm-4000K-Ra 1b
151635-51	CEL-D	5.10	white	1196x294x100	FL 2x36-G13-3350lm-4000K-Ra 1b
151636-51	CEL-D	6.70	white	1496x294x100	FL 2x58-G13-5200lm-4000K-Ra 1b
151630-51	CEL-D	4.80	white	596x596x100	FL 4x18-G13-1350lm-4000K-Ra 1b
151631-51	CEL-D	10.00	white	1196x596x100	FL 4x36-G13-3350lm-4000K-Ra 1b
151620-09	CEL-E	5.80	white	1256x185x100	FL 1x36-G13-3350lm-4000K-Ra 1b
151621-09	CEL-E	7.10	white	1556x185x100	FL 1x58-G13-5200lm-4000K-Ra 1b
151635-09	CEL-E	7.60	white	1196x294x100	FL 2x36-G13-3350lm-4000K-Ra 1b
151636-09	CEL-E	9.20	white	1496x596x100	FL 2x58-G13-5200lm-4000K-Ra 1b
151630-09	CEL-E	7.30	white	596x596x100	FL 4x18-G13-1350lm-4000K-Ra 1b
151631-09	CEL-E	12.50	white	1196x294x100	FL 4x36-G13-3350lm-4000K-Ra 1b
151620-52	CEL-D		white	1256x185x100	FL 1x36-G13-3350lm-4000K-Ra 1b
151621-52	CEL-D		white		FL 1x58-G13-5200lm-4000K-Ra 1b
151624-52	CEL-D		white	596x294x100	FL 2x18-G13-1350lm-4000K-Ra 1b
151635-52	CEL-D		white	1196x294x100	FL 2x36-G13-3350lm-4000K-Ra 1b
151636-52	CEL-D		white	1496x294x100	FL 2x58-G13-5200lm-4000K-Ra 1b
151630-52	CEL-D		white	596x596x100	FL 4x18-G13-1350lm-4000K-Ra 1b
151631-52	CEL-D		white	1196x596x100	FL 4x36-G13-3350lm-4000K-Ra 1b
151200-00	CNR	2.20	white	646x185x82	FL 1x18-G13-1350lm-4000K-Ra 1b
151201-00	CNR	3.60	white	1256x185x82	FL 1x36-G13-3350lm-4000K-Ra 1b
151202-00	CNR	4.50	white	1556x185x82	FL 1x58-G13-5200lm-4000K-Ra 1b
151203-00	CNR	2.70	white	596x294x82	FL 2x18-G13-1350lm-4000K-Ra 1b
151204-00	CNR	4.90	white	1196x294x82	FL 2x36-G13-3350lm-4000K-Ra 1b
151205-00	CNR	6.30	white	1496x294x82	FL 2x58-G13-5200lm-4000K-Ra 1b
151206-00	CNR	4.40	white	596x596x82	FL 3x18-G13-1350lm-4000K-Ra 1b
151207-00	CNR	7.90	white	1196x596x82	FL 3x36-G13-3350lm-4000K-Ra 1b
151208-00	CNR	4.70	white	596x596x82	FL 4x18-G13-1350lm-4000K-Ra 1b
151209-00	CNR	8.60	white	1196x596x82	FL 4x36-G13-3350lm-4000K-Ra 1b
151200-07	CNR-E	2.70	white	646x185x82	FL 1x18-G13-1350lm-4000K-Ra 1b
151201-07	CNR-E	4.20	white	1256x185x82	FL 1x36-G13-3350lm-4000K-Ra 1b
151202-07	CNR-E	5.10	white	1556x185x82	FL 1x58-G13-5200lm-4000K-Ra 1b
151203-07	CNR-E	3.30	white	596x294x82	FL 2x18-G13-1350lm-4000K-Ra 1b
151204-07	CNR-E	5.40	white	1196x294x82	FL 2x36-G13-3350lm-4000K-Ra 1b
151205-07	CNR-E	6.90	white	1496x294x82	FL 2x58-G13-5200lm-4000K-Ra 1b
151206-07	CNR-E	5.00	white	596x596x82	FL 3x18-G13-1350lm-4000K-Ra 1b
151207-07	CNR-E	8.50	white	1196x596x82	FL 3x36-G13-3350lm-4000K-Ra 1b

Code	Gear	Kg	Colour	Dimensions	lamp
151208-07	CNR-E	5.30	white	596x596x82	FL 4x18-G13-1350lm-4000K-Ra 1b
151209-07	CNR-E	9.20	white	1196x596x82	FL 4x36-G13-3350lm-4000K-Ra 1b
151200-08	CEL	2.10	white	646x185x82	FL 1x18-G13-1350lm-4000K-Ra 1b
151201-08	CEL	3.40	white	1256x185x82	FL 1x36-G13-3350lm-4000K-Ra 1b
151202-08	CEL	4.00	white	1556x185x82	FL 1x58-G13-5200lm-4000K-Ra 1b
151203-08	CEL	2.50	white	596x294x82	FL 2x18-G13-1350lm-4000K-Ra 1b
151204-08	CEL	4.10	white	1196x294x82	FL 2x36-G13-3350lm-4000K-Ra 1b
151205-08	CEL	4.90	white	1496x294x82	FL 2x58-G13-5200lm-4000K-Ra 1b
151206-08	CEL	3.80	white	596x596x82	FL 3x18-G13-1350lm-4000K-Ra 1b
151207-08	CEL	6.50	white	1196x596x82	FL 3x36-G13-3350lm-4000K-Ra 1b
151208-08	CEL	4.30	white	596x596x82	FL 4x18-G13-1350lm-4000K-Ra 1b
151209-08	CEL	7.10	white	1196x596x82	FL 4x36-G13-3350lm-4000K-Ra 1b
151200-09	CEL-E	2.70	white	646x185x82	FL 1x18-G13-1350lm-4000K-Ra 1b
151201-09	CEL-E	4.00	white	1256x185x82	FL 1x36-G13-3350lm-4000K-Ra 1b
151202-09	CEL-E	4.60	white	1556x185x82	FL 1x58-G13-5200lm-4000K-Ra 1b
151203-09	CEL-E	3.10	white	596x294x82	FL 2x18-G13-1350lm-4000K-Ra 1b
151204-09	CEL-E	4.70	white	1196x294x82	FL 2x36-G13-3350lm-4000K-Ra 1b
151205-09	CEL-E	5.50	white	1496x294x82	FL 2x58-G13-5200lm-4000K-Ra 1b
151206-09	CEL-E	4.40	white	596x596x82	FL 3x18-G13-1350lm-4000K-Ra 1b
151207-09	CEL-E	7.50	white	1196x596x82	FL 3x36-G13-3350lm-4000K-Ra 1b
151208-09	CEL-E	4.50	white	596x596x82	FL 4x18-G13-1350lm-4000K-Ra 1b
151209-09	CEL-E	7.70	white	1196x596x82	FL 4x36-G13-3350lm-4000K-Ra 1b
151201-51	CEL-DH	3.40	white	1256x185x82	FL 1x36-G13-3350lm-4000K-Ra 1b
151202-51	CEL-DH	4.00	white	1556x185x82	FL 1x58-G13-5200lm-4000K-Ra 1b
151203-51	CEL-DH	2.50	white	596x294x82	FL 2x18-G13-1350lm-4000K-Ra 1b
151204-51	CEL-DH	4.10	white	1196x294x82	FL 2x36-G13-3350lm-4000K-Ra 1b
151205-51	CEL-DH	4.90	white	1496x294x82	FL 2x58-G13-5200lm-4000K-Ra 1b
151206-51	CEL-DH	3.80	white	596x596x82	FL 3x18-G13-1350lm-4000K-Ra 1b
151207-51	CEL-DH	6.50	white	1196x596x82	FL 3x36-G13-3350lm-4000K-Ra 1b
151208-51	CEL-DH	4.30	white	596x596x82	FL 4x18-G13-1350lm-4000K-Ra 1b
151209-51	CEL-DH	7.10	white	1196x596x82	FL 4x36-G13-3350lm-4000K-Ra 1b

Housing: in steel sheet.

Optics: Matt louvre.

Coating: acrylic anionic electrocoating, white, UV-stabilized

Electric gear: automatic line and 100% tested on the line. 230V/50Hz (CNR) power supply. Hard wire, 0.50 sq mm cross section and PVC-HT sheath resistant up to 90°, according to CEI 20-20 standards. Quick connector +T with

maximum allowed lead cross section of 2.5 sq mm.

Equipment: Snap fastening optics, which remain attached by safety cords. 6.3A protection fuse for the 873 and 875 versions.

Supplied without brackets for contact mounting on the cross T structure. When not contact mounted, use brackets, acc. 901.

Regulations: Produced according to applicable EN60598-1 CEI 34-21 standards, degree of protection according to EN 60529 standards.