

## 873 Comfort T5 - high-gloss 99.99

Housing: in steel sheet.

Louvre: Dark light double parabolic louvres, in high-gloss plated aluminium 99.99. Anti-dazzle and anti-iridescence, very low luminance. PVD treatment.

Coating: acrylic anionic electrocoating, white, UV-stabilized

Electric gear: automatic line and 100% tested on the line. 230V/50Hz (CNR) power supply. Hard wire, 0.50 sq mm cross section and PVC-HT sheath resistant up to 90°, according to CEI 20-20 standards. Quick connector +T with maximum allowed lead cross section of 2.5 sq mm.

Equipment: Snap fastening optics, which remain attached by safety cords. 6.3A protection fuse for the 873 version.

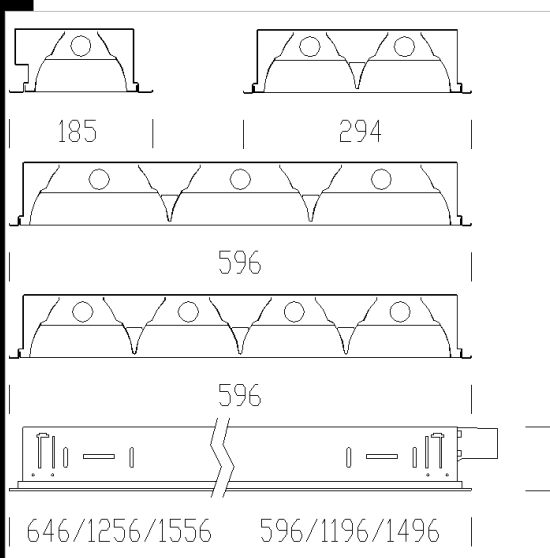
Supplied without brackets for contact mounting on the cross T structure. When not contact mounted, use brackets, acc. 901.

Regulations: Produced according to applicable EN60598-1 CEI 34-21 standards, degree of protection according to EN 60529 standards.

### Download

DXF 2D  
- 873\_75\_77.dxf

Montaggi  
- comfort8.pdf



Code	Gear	Kg	Lumen-K-CRI	WTot	Base	Colour
151022-00	CELL-F	4.00	FL 1x49-4350lm-4000K-Ra 1b	55 W	G5	WHITE
151024-09	CELLF-E	4.45	FL 2x28-2640lm-4000K-Ra 1b	64 W	G5	WHITE
151025-00	CELL-F	4.90	FL 2x35-3350lm-4000K-Ra 1b	75 W	G5	WHITE
151028-09	CELLF-E	6.60	FL 3x28-2650lm-4000K-Ra 1b	92 W	G5	WHITE
151030-00	CELL-F	3.46	FL 4x14-1250lm-4000K-Ra 1b	66 W	G5	WHITE
151031-00	CELL-F	6.58	FL 4x28-2650lm-4000K-Ra 1b	120 W	G5	WHITE
151024-00	CELL-F	4.10	FL 2x28-2640lm-4000K-Ra 1b	60 W	G5	WHITE
151022-09	CELLF-E	4.48	FL 1x49-4350lm-4000K-Ra 1b	59 W	G5	WHITE
151026-09	CELLF-E	5.31	FL 2x49-4350lm-4000K-Ra 1b	109 W	G5	WHITE
151031-09	CELLF-E	7.62	FL 4x28-2650lm-4000K-Ra 1b	124 W	G5	WHITE
151021-09	CELLF-E	4.60	FL 1x35-3350lm-4000K-Ra 1b	42 W	G5	WHITE
151027-09	CELLF-E	3.90	FL 3x14-1250lm-4000K-Ra 1b	54 W	G5	WHITE
151020-09	CELLF-E	3.63	FL 1x28-2650lm-4000K-Ra 1b	34 W	G5	WHITE
151025-09	CELLF-E	5.50	FL 2x35-3350lm-4000K-Ra 1b	79 W	G5	WHITE
151020-00	CELL-F	3.40	FL 1x28-2650lm-4000K-Ra 1b	30 W	G5	WHITE
151026-00	CELL-F	4.90	FL 2x49-4350lm-4000K-Ra 1b	105 W	G5	WHITE
151021-00	CELL-F	4.00	FL 1x35-3350lm-4000K-Ra 1b	38 W	G5	WHITE
151023-09	CELLF-E	3.10	FL 2x14-1250lm-4000K-Ra 1b	34 W	G5	WHITE
151023-00	CELL-F	2.23	FL 2x14-1250lm-4000K-Ra 1b	31 W	G5	WHITE
151028-00	CELL-F	6.00	FL 3x28-2650lm-4000K-Ra 1b	88 W	G5	WHITE
151030-09	CELLF-E	3.88	FL 4x14-1250lm-4000K-Ra 1b	69 W	G5	WHITE
151027-00	CELL-F	3.40	FL 3x14-1250lm-4000K-Ra 1b	51 W	G5	WHITE

### Accessories



- 203 Fuse



- 320 steel safety cord



- 898 adjustable bracket



- 901 adjustable bracket

The reported luminous flux is the flux emitted by the light source with a tolerance of ± 10% compared to the indicated value. The W tot column indicates the total wattage absorbed by the system without exceeding 10% of the indicated