

865 Comfort 65° T8 - matt



Housing: galvanized steel stove pre-enamelling with white polyester resin.  
Louvre: Dark light double parabolic louvres, in matt aluminium. Anti-dazzle and anti-iridescence.

Lampholder: In polycarbonate, with contacts in phosphor bronze.  
Electric gear: Automatic line and are 100% tested on the line 230V/50Hz power supply. Hard wire, 0.50 sqmm cross section, and PVC-HT sheath, resistant up to 90°C, according to CEI 20-20 standards. 2P+T terminal block, with maximum allowed lead cross section of 2.5 sqmm.

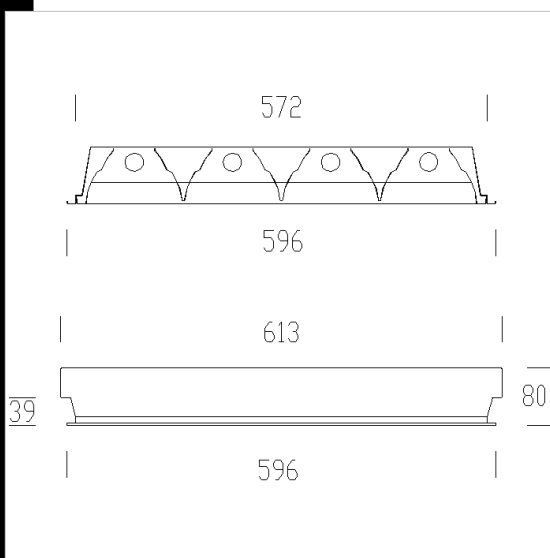
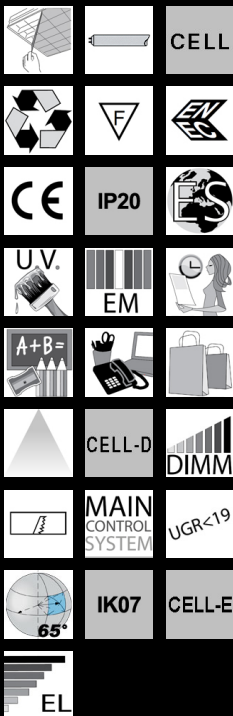
Equipment: Quick connectors for electrical line and with door for electrical connections.

Snap fastening optics, which remain attached with nylon cords.  
Anti-fingerprint gloves to avoid damage to the louvre during installation.

Mounting: Recessed for contact mounting on the cross T structure  
Regulations: Produced according to applicable EN60598 CEI 34-21 standards, IP20IK07 degree of protection according to EN 60529. These products can be installed on normally inflammable surfaces.

Emergency light version: In maintained version. In the event of a black-out a single lamp connected to the back-up circuit continues to operate. Run time 60 minutes. On request: optional "Main Control System" available for emergency management.

Lamps: Version CNRL/CELL includes T8 - 4000K lamps



Download

DXF 2D  
- 863\_65\_67\_69.dxf

3DS  
- 873\_4x18.3ds

3DM  
- 873\_4x18.3dm

Montaggi

- esempio comfort\_3.dxf  
- comfort\_depl\_4.dxf  
- 863\_5\_862\_6\_9\_comfort.pdf  
- comfort\_depl1.dxf  
- esempio comfort\_2.dxf  
- comfort\_depl\_2.dxf  
- portafusibile.dxf  
- esempio comfort\_1.dxf  
- comfort\_depl\_3.dxf

Code	Gear	Kg	Watt	Base	Lamps	Colour
150815-08	CELL	3,50	FL 4x18	G13	1350lm-4000K-Ra 1b	WHITE
150815-51	CELL-DH	3,50	FL 4x18	G13	1350lm-4000K-Ra 1b	WHITE
150815-09	CELL-E	4,00	FL 4x18	G13	1350lm-4000K-Ra 1b	WHITE

Accessories



- 203 Fuse



- 320 steel safety cord