



## 865 Comfort 65° T5 - matt

Housing: galvanized steel stove pre-enamelling with white polyester resin.  
Louvre: Dark light double parabolic louvres, in matt aluminium. Anti-dazzle and anti-iridescence.

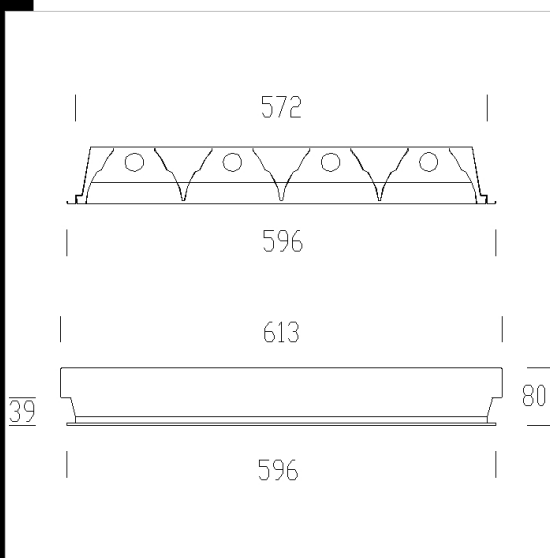
Lampholder: In polycarbonate, with contacts in phosphor bronze.  
Electric gear: Automatic line and are 100% tested on the line 230V/50Hz electronic power supply. Hard wire, 0.50 sqmm cross section, and PVC-HT sheath, resistant up to 90°C, according to CEI 20-20 standards. 2P+T terminal block, with maximum allowed lead cross section of 2.5 sqmm.

Equipment: Quick connectors for electrical line and with door for electrical connections.

Snap fastening optics, which remain attached with nylon cords.  
Anti-fingerprint gloves to avoid damage to the louvre during installation.

Mounting: Recessed for contact mounting on the cross T structure  
Regulations: Produced according to applicable EN60598 CEI 34-21 standards, IP20IK07 degree of protection according to EN 60529. These products can be installed on normally inflammable surfaces.

Emergency light version: In maintained version. In the event of a black-out a single lamp connected to the back-up circuit continues to operate. Run time 60 minutes. On request: optional "Main Control System" available for emergency management.



### Download

DXF 2D  
- 863\_65\_67\_69.dxf

### Montaggi

- esempio comfort\_3.dxf  
- comfort depl\_4.dxf  
- 863\_5\_862\_6\_8\_comfort.pdf  
- comfort depl\_1.dxf  
- esempio comfort\_2.dxf  
- comfort depl\_2.dxf  
- portafusibile.dxf  
- esempio comfort\_1.dxf  
- comfort depl\_3.dxf

Code	Gear	Kg	Watt	Base	Lamps	Colour
150810-00	CELL	3,00	FL 4x14	G5	1250lm-4000K-Ra 1b	WHITE
150810-07	CELL-E	3,80	FL 4x14	G5	1250lm-4000K-Ra 1b	WHITE
150810-51	CELL-DH	3,00	FL 4x14	G5	1250lm-4000K-Ra 1b	WHITE

### Accessori



- 203 Fuse



- 320 steel safety cord