



Download

DXF 2D
- 863_65_67_69.dxf

Montaggi

- esempio comfort_2.dxf
- comfort depl_2.dxf
- portafusibile.dxf
- esempio comfort_1.dxf
- comfort depl_3.dxf
- esempio comfort_3.dxf
- comfort depl_4.dxf
- comfort depl1.dxf
- 863_5_862_6_8_comfort.pdf



865 Comfort 65° T5 - matt

Housing: galvanized steel stove pre-enamelling with white polyester resin.
Louvre: Dark light double parabolic louvres, in matt aluminium. Anti-dazzle and anti-iridescence.

Lampholder: In polycarbonate, with contacts in phosphor bronze.

Electric gear: Automatic line and are 100% tested on the line 230V/50Hz electronic power supply. Hard wire, 0.50 sqmm cross section, and PVC-HT sheath, resistant up to 90°C, according to CEI 20-20 standards. 2P+T terminal block, with maximum allowed lead cross section of 2.5 sqmm.

Equipment: Quick connectors for electrical line and with door for electrical connections.

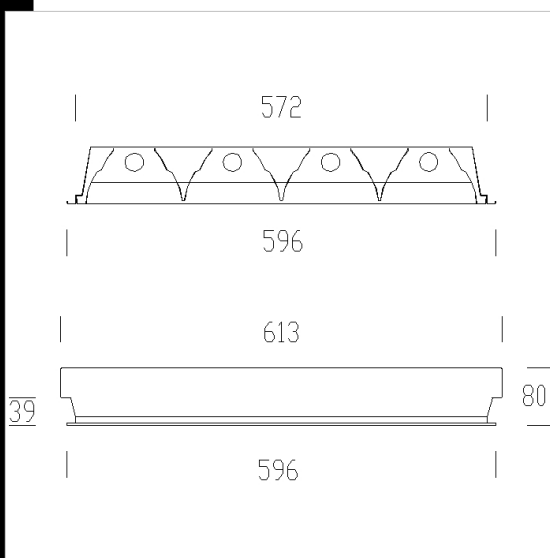
Snap fastening optics, which remain attached with nylon cords.

Anti-fingerprint gloves to avoid damage to the louvre during installation.

Mounting: Recessed for contact mounting on the cross T structure

Regulations: Produced according to applicable EN60598 CEI 34-21 standards, IP20IK07 degree of protection according to EN 60529. These products can be installed on normally inflammable surfaces.

Emergency light version: In maintained version. In the event of a black-out a single lamp connected to the back-up circuit continues to operate. Run time 60 minutes. On request: optional "Main Control System" available for emergency management.



Code	Gear	Kg	Lumen-K-CRI	WTot	Base	Colour
150810-00	CELL	3.00	FL 4x14-1250lm-4000K-Ra 1b	68 W	G5	WHITE
150810-51	CELL-DH	3.00	FL 4x14-1250lm-4000K-Ra 1b	62 W	G5	WHITE

Accessories



- 203 Fuse



- 320 steel safety cord

The reported luminous flux is the flux emitted by the light source with a tolerance of ± 10% compared to the indicated value. The W tot column indicates the total wattage absorbed by the system without exceeding 10% of the indicated