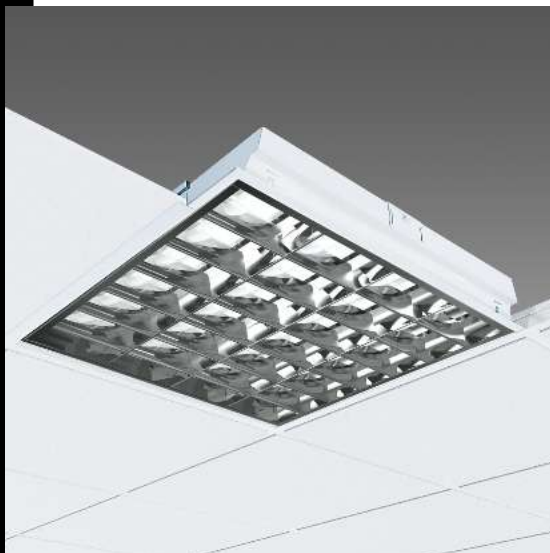
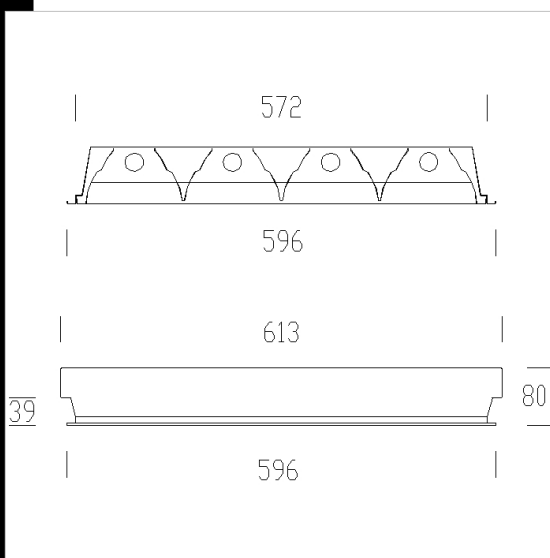


863 Comfort 65° T8 - high-gloss 99.85



Housing: galvanized steel stove pre-enamelling with white polyester resin.
 Louvre: Dark light double parabolic louvres, in high-gloss 99.85 aluminium.
 Anti-dazzle and anti-iridescence, very low luminance.
 Lampholder: In polycarbonate, with contacts in phosphor bronze.
 Electric gear: Automatic line and are 100% tested on the line 230V/50Hz electronic power supply. Hard wire, 0.50 sqmm cross section, and PVC-HT sheath, resistant up to 90°C, according to CEI 20-20 standards. 2P+T terminal block, with maximum allowed lead cross section of 2.5 sqmm.
 Equipment: Quick connectors for electrical line and with door for electrical connections.
 Snap fastening optics, which remain attached with nylon cords.
 Anti-fingerprint gloves to avoid damage to the louvre during installation.
 Mounting: Recessed for contact mounting on the cross T structure
 Regulations: Produced according to applicable EN60598 CEI 34-21 standards, IP20IK07 degree of protection according to EN 60529. These products can be installed on normally inflammable surfaces.
 Emergency light version: In maintained version. In the event of a black-out a single lamp connected to the back-up circuit continues to operate. Run time 60 minutes. On request: optional "Main Control System" available for emergency management.



Code	Gear	Kg	Watt	Base	Lamps	Colour
150715-51	CELL-DH	3,54	FL 4x18	G13	1350lm-4000K-Ra 1b	WHITE
150715-09	CELL-E	4,00	FL 4x18	G13	1350lm-4000K-Ra 1b	WHITE
150715-08	CELL	3,50	FL 4x18	G13	1350lm-4000K-Ra 1b	WHITE

Accessories



- 203 Fuse



- 320 steel safety cord

CELL

CE

IP20

EM

CELL-D

DIMM

MAIN CONTROL SYSTEM

UGR<19

IK07

CELL-E

EL

- Download**
- DXF 2D
 - 863_65_67_69.dxf
 - 3DS
 - 873_4x18.3ds
 - 3DM
 - 873_4x18.3dm
 - Montaggi
 - 863_7_9.dxf
 - comfort depl_4.dxf
 - comfort depl_5.dxf
 - 863_5_862_6_8_comfort.pdf
 - comfirt depl1.dxf
 - comfirt depl_2.dxf
 - esempio comfirt_1.dxf
 - comfirt depl_3.dxf