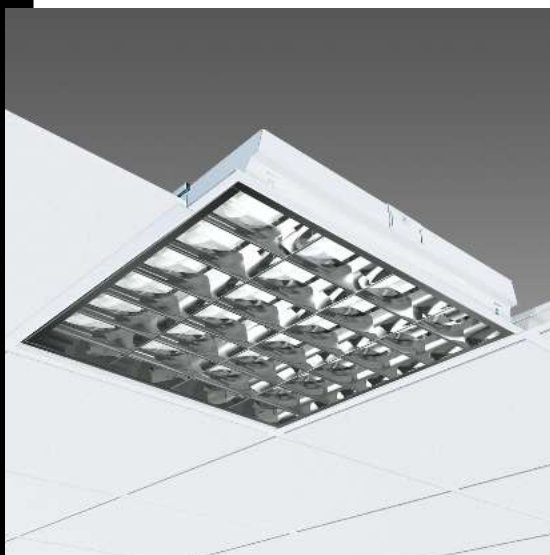
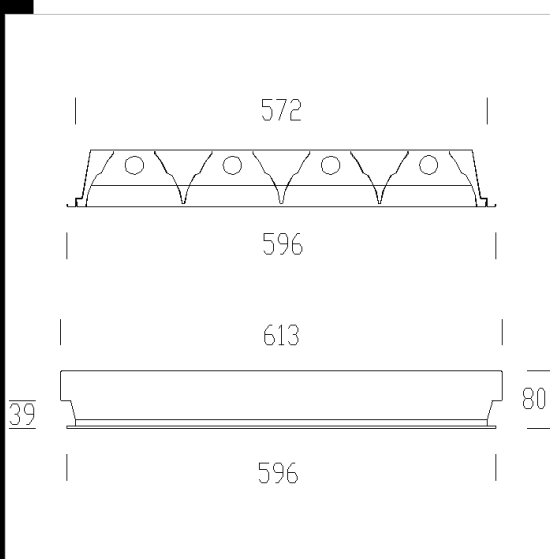


863 Comfort 65° T8 - high-gloss 99.85



Housing: galvanized steel stove pre-enamelling with white polyester resin.
 Louvre: Dark light double parabolic louvres, in high-gloss 99.85 aluminium. Anti-dazzle and anti-iridescence, very low luminance.
 Lampholder: In polycarbonate, with contacts in phosphor bronze.
 Electric gear: Automatic line and are 100% tested on the line 230V/50Hz electronic power supply. Hard wire, 0.50 sqmm cross section, and PVC-HT sheath, resistant up to 90°C, according to CEI 20-20 standards. 2P+T terminal block, with maximum allowed lead cross section of 2.5 sqmm.
 Equipment: Quick connectors for electrical line and with door for electrical connections.
 Snap fastening optics, which remain attached with nylon cords.
 Anti-fingerprint gloves to avoid damage to the louvre during installation.
 Mounting: Recessed for contact mounting on the cross T structure
 Regulations: Produced according to applicable EN60598 CEI 34-21 standards, IP20IK07 degree of protection according to EN 60529. These products can be installed on normally inflammable surfaces.
 Emergency light version: In maintained version. In the event of a black-out a single lamp connected to the back-up circuit continues to operate. Run time 60 minutes. On request: optional "Main Control System" available for emergency management.



| Code | Gear | Kg | Lumen-K-CRI | WTot | Base | Colour |
|-----------|---------|------|----------------------------|------|------|--------|
| 150715-08 | CELL | 3.50 | FL 4x18-1350lm-4000K-Ra 1b | 73 W | G13 | WHITE |
| 150715-51 | CELL-DH | 3.54 | FL 4x18-1350lm-4000K-Ra 1b | 72 W | G13 | WHITE |

Accessories



- 203 Fuse



- 320 steel safety cord

- EL CELL
- IP20 UV EM
- CELL-E IK07
- UGR<19
- 65°

- Download**
- DXF 2D
 - 863_65_67_69.dxf
 - 3DS
 - 873_4x18.3ds
 - 3DM
 - 873_4x18.3dm
 - Montaggi
 - comfort_depl_2.dxf
 - esempio_comfort_1.dxf
 - comfort_depl_3.dxf
 - 863_7_9.dxf
 - comfort_depl_4.dxf
 - comfort_depl_5.dxf
 - comfort_depl1.dxf
 - 863_5_862_6_8_comfort.pdf

The reported luminous flux is the flux emitted by the light source with a tolerance of ± 10% compared to the indicated value. The W tot column indicates the total wattage absorbed by the system without exceeding 10% of the indicated