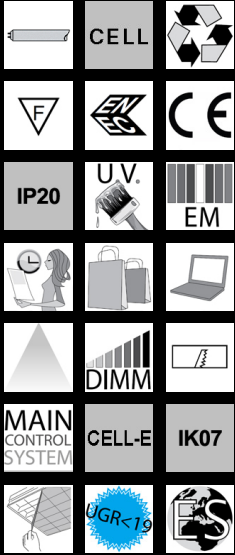


863 Comfort 65° T5 - high-gloss 99.85



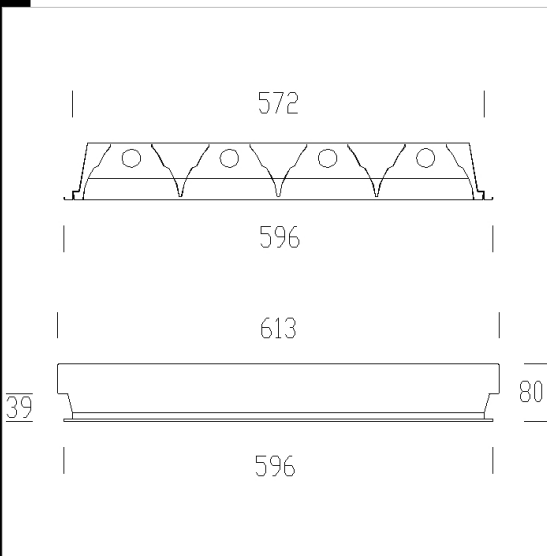
Housing: galvanized steel stove pre-enamelling with white polyester resin.  
 Louvre: Dark light double parabolic louvres, in high-gloss 99.85 aluminium. Anti-dazzle and anti-iridescence, very low luminance.  
 Lampholder: In polycarbonate, with contacts in phosphor bronze.  
 Electric gear: Automatic line and are 100% tested on the line 230V/50Hz electronic power supply. Hard wire, 0.50 sqmm cross section, and PVC-HT sheath, resistant up to 90°C, according to CEI 20-20 standards. 2P+T terminal block, with maximum allowed lead cross section of 2.5 sqmm.  
 Equipment: Quick connectors for electrical line and with door for electrical connections.  
 Snap fastening optics, which remain attached with nylon cords.  
 Anti-fingerprint gloves to avoid damage to the louvre during installation.  
 Mounting: Recessed for contact mounting on the cross T structure  
 Regulations: Produced according to applicable EN60598 CEI 34-21 standards, IP20IK07 degree of protection according to EN 60529. These products can be installed on normally inflammable surfaces.  
 Emergency light version: In maintained version. In the event of a black-out a single lamp connected to the back-up circuit continues to operate. Run time 60 minutes. On request: optional "Main Control System" available for emergency management.



CELL-D

Download

- DXF 2D
- 863\_65\_67\_69.dxf
- Montaggi
- comfort depl\_2.dxf
- esempio comfort\_1.dxf
- comfort depl\_3.dxf
- 863\_7\_9.dxf
- comfort depl\_4.dxf
- comfort depl\_5.dxf
- comfort depl1.dxf
- 863\_5\_862\_6\_8\_comfort.pdf



Code	Gear	Kg	Lumen-K-CRI	WTot	Base	Colour
150710-07	CELL-E	3.88	FL 4x14-1250lm-4000K-Ra 1b	71 W	G5	WHITE

Accessories



- 203 Fuse



- 320 steel safety cord

The reported luminous flux is the flux emitted by the light source with a tolerance of ± 10% compared to the indicated value. The W tot column indicates the total wattage absorbed by the system without exceeding 10% of the indicated