

860 Comfortlight T5 - matt 99.85



Housing: In rolled hot-dip galvanized steel,  
 Louvre: double parabolic louvres, lengthwise and crosswise in high-gloss, plated aluminium, anti-glare and anti-iridescence, very low luminance 99.85.  
 Lampholder: In polycarbonate, with contacts in phosphor bronze. Socket G5.  
 Electric gear: Automatic line and are 100% tested on the line 230V/50Hz electronic power supply. Hard wire, 0.50 sqmm cross section, and PVC-HT sheath, resistant up to 90°C, according to CEI 20-20 standards. 2P+T terminal block, with maximum allowed lead cross section of 2.5 sqmm.

Equipment: Quick connectors for electrical line and with door for electrical connections.

Snap fastening optics, which remain attached with nylon cords.

Anti-fingerprint gloves to avoid damage to the louvre during installation.

Mounting: Recessed for contact mounting on the cross T structure

Regulations: Produced according to applicable EN60598 CEI 34-21 standards, IP20IK07 degree of protection according to EN 60529. These products can be installed on normally inflammable surfaces.

THE NEW TL5 ECO MASTER LAMP HAS THE FOLLOWING ADVANTAGES:

Instant replacement of standard TL5 14W lamps.

10% energy saving.

Same luminous flux of Master TL5 14W lamps.

Good colour rendering (Ra>80).

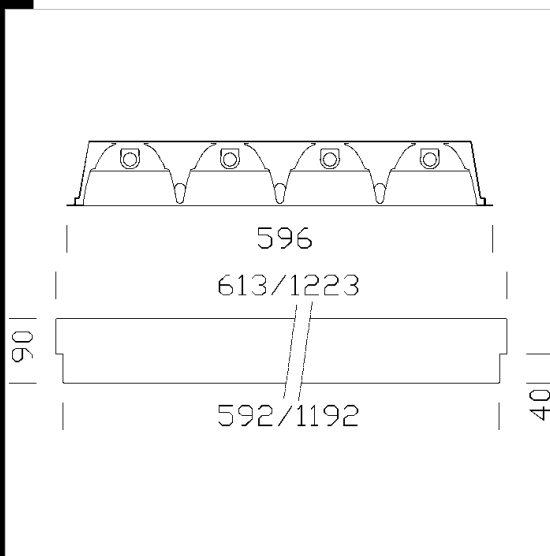
Limited mercury levels: 1.4 mg.

INSTANT SAVING:

SAVING is possible

by replacing old ceiling light fixtures 60 x 60 with new luminaires equipped with

FL 3/4x14 MASTER TL5 HE ECO lamps!



Code	Gear	Kg	Lumen-K-CRI	WTot	Base	Colour
150437-00	CELL	3,80	FL 4x14-1250lm-4000K-Ra 1b	66 W	G5	WHITE
150437-12	CELL-D	3,30	FL 4x14-1250lm-4000K-Ra 1b	66 W	G5	WHITE
150437-07	CELL-E	4,30	FL 4x14-1250lm-4000K-Ra 1b	69 W	G5	WHITE

Accessori



- 203 Fuse



- 320 steel safety cord

EL CELL  
 IP20 UV. EM  
 DIMM  
 MAIN CONTROL SYSTEM CELL-E  
 UGR<19 A+B= CELL-D  
 65°

Download

- DXF 2D - 860.dxf
- Montaggi - comfortlight.pdf

The reported luminous flux is the flux emitted by the light source with a tolerance of ± 10% compared to the indicated value. The W tot column indicates the total wattage absorbed by the system without exceeding 10% of the indicated