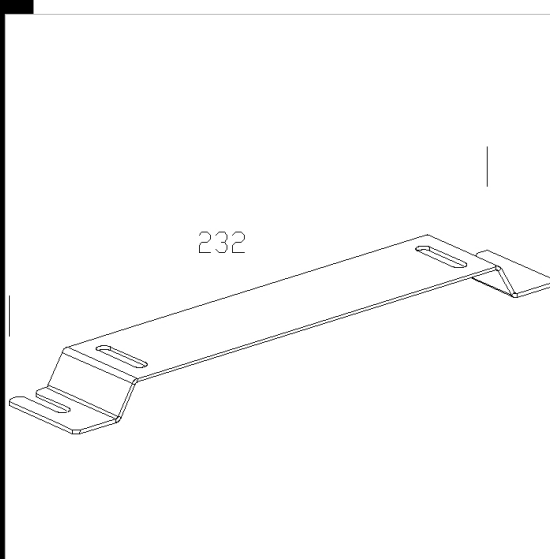


525 ceiling connection

In galvanized steel for ceiling installation. Only for direct lighting.
Each box contains two brackets

Download

DXF 2D
- 525.dxf



Code	Kg	WTot	Colour
145689-00	0,22	0 W	GALVANIZED

Prodotti



- 3845 Zenith T5 - with diffuser



- 3843 Zenith T5 - high-gloss

The reported luminous flux is the flux emitted by the light source with a tolerance of $\pm 10\%$ compared to the indicated value. The W tot column indicates the total wattage absorbed by the system without exceeding 10% of the indicated