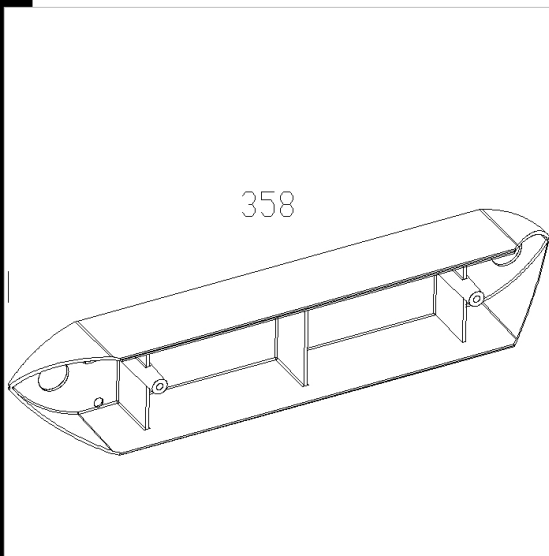




524 end cap - Zenith

To be used for sealing the cube bits not occupied by Zenith. 1-piece box.



Code	Kg	WTot	Colour
145695-00	0.15	0 W	ANTHRACITE
145688-00	0.15	0 W	WHITE
145687-00	0.25	0 W	GREY

Products



- 3845 Zenith T5 - with diffuser



- 522 Zenith - Cube white



- 3843 Zenith T5 - high-gloss

The reported luminous flux is the flux emitted by the light source with a tolerance of $\pm 10\%$ compared to the indicated value. The W tot column indicates the total wattage absorbed by the system without exceeding 10% of the indicated