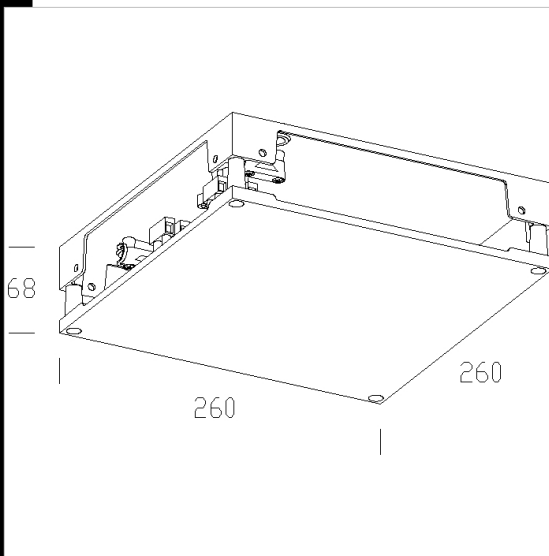


523 simple cube - Zenith

In die-cast aluminium. To be used with acc. 524 to seal cube heads or use acc. 527 for solid lines

Download

DXF 2D  
- 523.dxf



Code	Kg	WTot	Colour
145686-00	1,08	0 W	WHITE
145685-00	1,06	0 W	GREY

Prodotti



- 3845 Zenith T5 - with diffuser



- 3843 Zenith T5 - high-gloss

The reported luminous flux is the flux emitted by the light source with a tolerance of  $\pm 10\%$  compared to the indicated value. The W tot column indicates the total wattage absorbed by the system without exceeding 10% of the indicated