

IP20

IK04

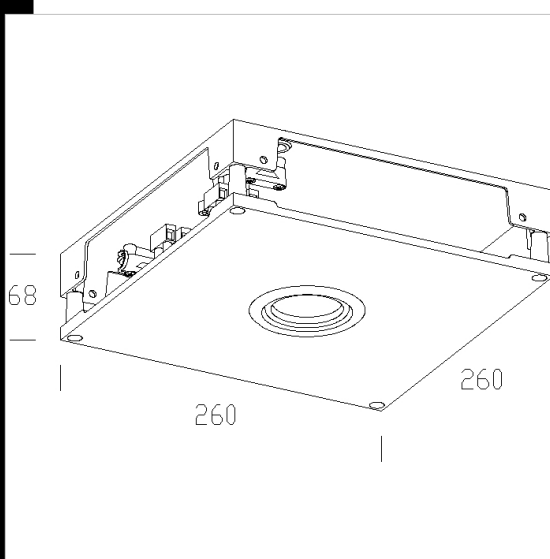
Download

DXF 2D
- 522.dxf



522 Zenith - Cube wiht projector

Housing: Made of die-cast aluminium. with adjustable floodlight aluminium.
Made of die-cast aluminium. For "L", "T" or "X"



Code	Gear	Kg	Lumen-K-CRI	WTot	Base	Colour
14568200-00	CTL	0.00	LED---	0 W		ANTHRACITE
145694-00		1.04	LED---	0 W		ANTHRACITE
145679-00	CNR-L	1.25	DICR 35 IRC---	0 W	GU5.3	ANTHRACITE
145683-00	CTL	1.23	DICR 35 IRC-4100cd-3000K-	0 W	GU5.3	WHITE
145680-00	CNR-L	1.23	DICR 35 IRC-4100cd-3000K-	0 W	GU5.3	GREY

Accessories



- 524 end cap - Zenith



- 527 head for cube junction - Zenith

The reported luminous flux is the flux emitted by the light source with a tolerance of $\pm 10\%$ compared to the indicated value. The W tot column indicates the total wattage absorbed by the system without exceeding 10% of the indicated