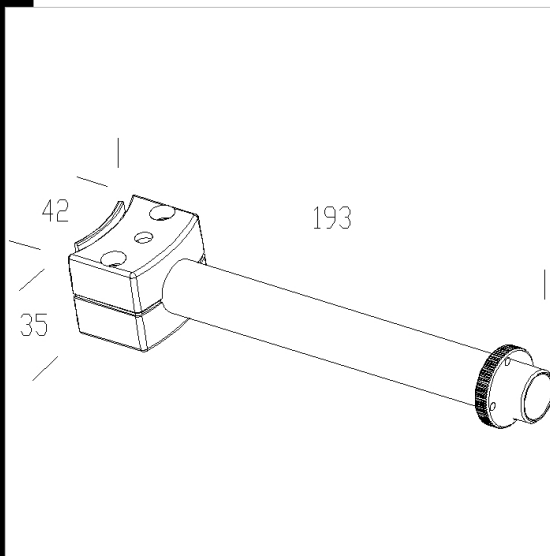
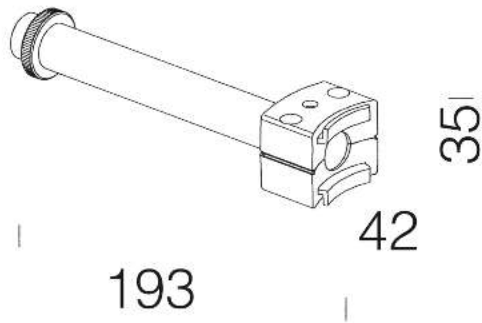


362 joint

Enables modules to be connected together. To be used with accessory 2018.

Download

DXF 2D
- 362.dxf



Code	Kg	WTot	Colour
145651-00	0.26	0 W	GREY9007

Products



- 3621 Arco double bilamp



- 3610 Arco single monolamp

The reported luminous flux is the flux emitted by the light source with a tolerance of $\pm 10\%$ compared to the indicated value. The W tot column indicates the total wattage absorbed by the system without exceeding 10% of the indicated