

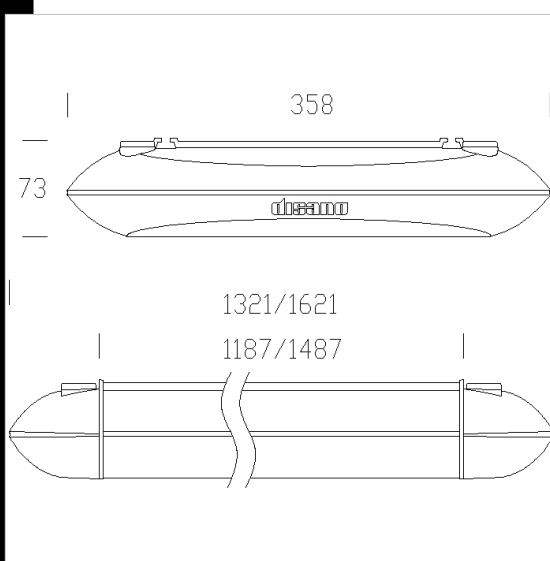
3843 Zenith T5 - high-gloss 99.99

Housing: Extruded aluminium with die-cast end caps.
 Optic unit: Longitudinal and transversal double parabolic dark-light louvres built from 99.99 high-gloss, anti-glare, anti-iridescence, very low luminance aluminium.
 Coating: Metallic silver or polished white polyester resin powder coating, resistant to corrosion and to saline environments.
 Lampholder: Polycarbonate with phosphorous bronze contacts.
 Electric gear: 230V240-50/60(CELL) power supply. Hard wire, cross-section 0.50 sqmm and high-temperature resistant (up to 90°C) PVC-HT sheath, in accordance with CEI 20-20 standards.
 2P+T terminal block (maximum allowed lead cross-section: 2.5 sqmm).
 Standard supply: The snap-on optic unit remains attached by safety cords.
 Quick connectors for electrical line. 3.5° protection fuse.
 Cover: Optionally, direct light only using acc. 526
 Regulations: Manufactured in compliance with EN60598 - CEI 34 - 21 standards. The level of protection complies with the EN60529 standard.
 Emergency version: In maintained version. In the event of a black-out a single lamp connected to the back-up circuit stays on. Run time 60 minutes.
 On request: A "Main Control System" to supervise the emergency versions (see chapter).
 On request: versions with 3-hour battery life.
 In case of mounting in a continuous line order should include fixtures with subcode -0072 except for the first of the line.

Download

DXF 2D
 - 3843-45.dxf

Montaggi
 - 3843-5_zenith.pdf
 - zenith montaggio.dxf



Code	Gear	Kg	Lumen-K-CRI	WTot	Base	Colour
145633-00	CELL-F	6.10	FL 2x28-2650lm-4000K-Ra 1b	60 W	G5	WHITE
145635-00	CNRL-F	7.50	FL 2x35-3350lm-4000K-Ra 1b	75 W	G5	ANTHRACITE
145632-12	CELLF-D	6.90	FL 2x28-2650lm-4000K-Ra 1b FL 2x28/54---	64 W	G5 G5	ANTHRACITE
145633-12	CELLF-D	6.99	FL 2x28-2650lm-4000K-Ra 1b	64 W	G5	WHITE
145635-12	CELLF-D	8.44	FL 2x35-3350lm-4000K-Ra 1b	78 W	G5	ANTHRACITE
145634-00	CELL-F	7.50	FL 2x35-3350lm-4000K-Ra 1b	75 W	G5	WHITE
145631-07	CELLF-E	8.00	FL 2x35-3350lm-4000K-Ra 1b	75 W	G5	SANDBLASTED SILVER
145635-07	CELLF-E	8.00	FL 2x28-2650lm-4000K-Ra 1b	75 W	G5	ANTHRACITE
145632-00	CELL-F	6.10	FL 2x28-2650lm-4000K-Ra 1b	60 W	G5	ANTHRACITE
145634-12	CELLF-D	8.40	FL 2x35-3350lm-4000K-Ra 1b	78 W	G5	WHITE
145630-00	CELL-F	6.10	FL 2x28-2650lm-4000K-Ra 1b	60 W	G5	GREY
145630-12	CELLF-D	6.91	FL 2x28-2650lm-4000K-Ra 1b	64 W	G5	GREY
145634-07	CELLF-E	8.00	FL 2x35-3350lm-4000K-Ra 1b	75 W	G5	WHITE
145631-12	CELLF-D	8.30	FL 2x35-3350lm-4000K-Ra 1b	78 W	G5	SANDBLASTED SILVER

Accessories



- 2607 simple suspension



- 523 simple cube - Zenith



- 524 end cap - Zenith



- 525 ceiling connection



- 526 Cover - Zenith



- 2608



- 527 head for cube junction - Zenith

The reported luminous flux is the flux emitted by the light source with a tolerance of ± 10% compared to the indicated value. The W tot column indicates the total wattage absorbed by the system without exceeding 10% of the indicated