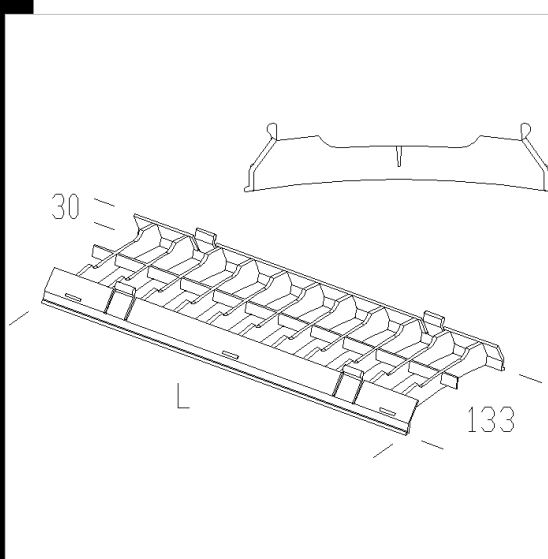
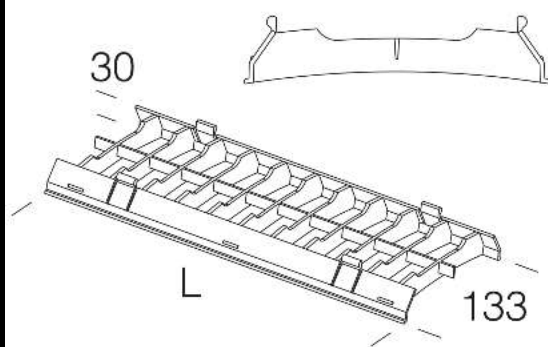


360 Concave lamella

In satin-finish ABS V0. Complete unit to cover the full length of the lamp



Code	Kg	Lumen-K-CRI	WTot	Colour
145583-00	0.45	54---	0 W	MATT
145584-00	0.55	80---	0 W	MATT

Products



- 3620 Arco double monolamp



- 3621 Arco double bilamp



- 3611 Arco single bilamp



- 3610 Arco single monolamp



- 3631 Arco wall version bilamp



- 3630 Arco wall version monolamp

Download

DXF 2D
- 360.dxf

The reported luminous flux is the flux emitted by the light source with a tolerance of $\pm 10\%$ compared to the indicated value. The W tot column indicates the total wattage absorbed by the system without exceeding 10% of the indicated