

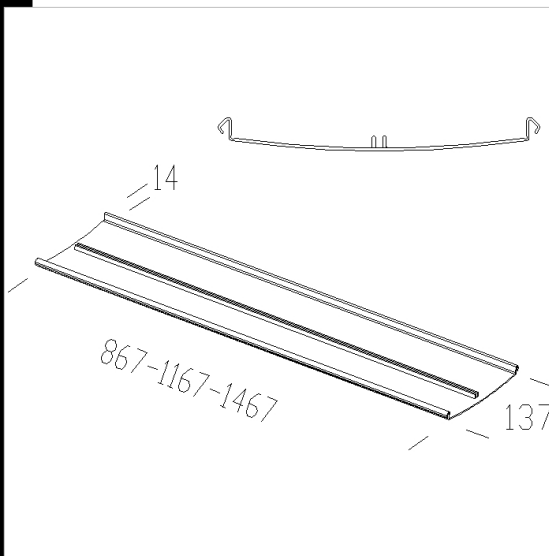
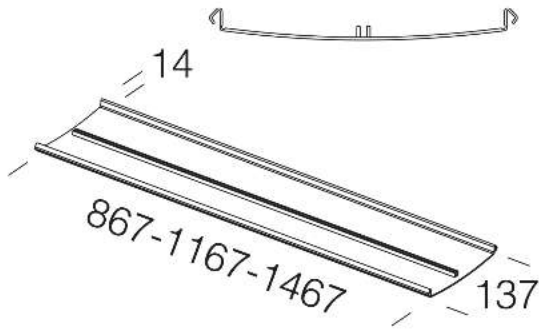


Download

DXF 2D
- 354.dxf

354 cover

To be used when only indirect light is desired in double versions of Arco acc.3620/21.



Code	Kg	WTot	Colour
145571-00	0.00	0 W	MET. SILVER
145572-00	0.00	0 W	MET. SILVER
145573-00	0.00	0 W	MET. SILVER
145574-00	0.00	0 W	WHITE
145575-00	0.00	0 W	WHITE
145576-00	0.00	0 W	WHITE

Products



- 3620 Arco double monolamp



- 3621 Arco double bilamp



- 3611 Arco single bilamp



- 3610 Arco single monolamp



- 3631 Arco wall version bilamp



- 3630 Arco wall version monolamp

The reported luminous flux is the flux emitted by the light source with a tolerance of $\pm 10\%$ compared to the indicated value. The W tot column indicates the total wattage absorbed by the system without exceeding 10% of the indicated