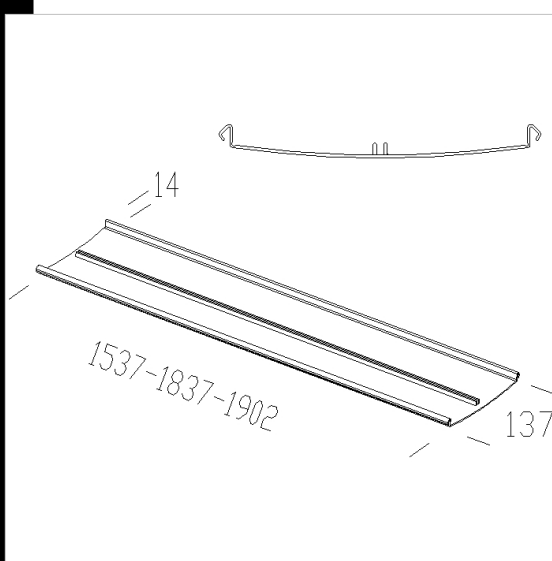
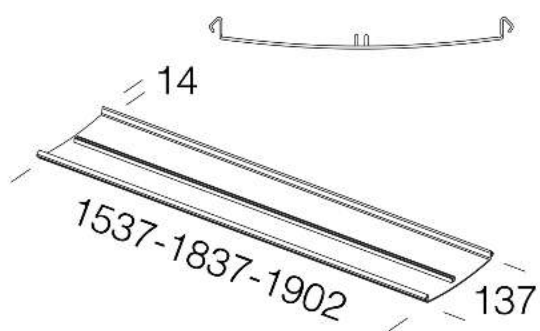


353 cover

To be used when only indirect light is desired in single versions of Arco acc.3630/31.



Code	Kg	Lumen-K-CRI	WTot	Colour
145565-00	0.00		0 W	MET. SILVER
145566-00	0.00	54---	0 W	WHITE
145567-00	0.00		0 W	WHITE
145568-00	0.00		0 W	WHITE
145563-00	0.00		0 W	MET. SILVER
145564-00	0.00		0 W	MET. SILVER

Products



- 3620 Arco double monolamp



- 3621 Arco double bilamp



- 3611 Arco single bilamp



- 3610 Arco single monolamp



- 3631 Arco wall version bilamp



- 3630 Arco wall version monolamp



Download

DXF 2D
- 353.dxf

The reported luminous flux is the flux emitted by the light source with a tolerance of ± 10% compared to the indicated value. The W tot column indicates the total wattage absorbed by the system without exceeding 10% of the indicated