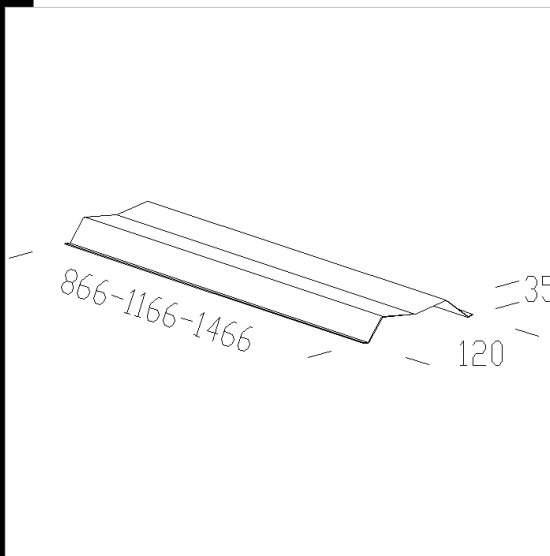




336 Reflector single direct light

To use in the cases emission of single direct light is wanted to be obtained



Code	Kg	Lumen-K-CRI	WTot	Base	Colour
145561-00	1.27		0 W		
155569-00	0.00	FL 39---	0 W		
145562-00	1.26	FL 1x80-6550lm-4000k-Ra 1b	0 W	G5	

Products



- 3620 Arco double monolamp



- 3621 Arco double bilamp



- 3611 Arco single bilamp



- 3610 Arco single monolamp



- 3631 Arco wall version bilamp



- 3630 Arco wall version monolamp

The reported luminous flux is the flux emitted by the light source with a tolerance of  $\pm 10\%$  compared to the indicated value. The W tot column indicates the total wattage absorbed by the system without exceeding 10% of the indicated