



### 3630 Arco wall version monolamp

A suitable ambience is an important goal to achieve in business meeting environments: light is a key element to help achieve it. Arco is a modular system supplying direct, indirect light or both, whereby you will always get the desired degree of light, depending also on sunlight.

Housing: Extruded aluminium with die-cast end caps.

Diffuser: Clear, V2 self-extinguishing, UV-stabilised polycarbonate. The smooth outside finishing facilitates cleaning, essential to ensure maximum lighting efficiency at all times.

Coating: Fluid-coated with a UV-stabilised acrylic-resin paint.

Lampholder: Polycarbonate with phosphorous bronze contacts.

Electric gear: 230-240V/-50/60Hz power supply with electronic ballast. Hard wire, cross-section 0.50 sqmm, and high-temperature resistant (up to 90°) PVC-HT sheath, in accordance with CEI 20-20 standards. 2P + T terminal block (maximum allowed lead cross-section 2.5 sqmm.)

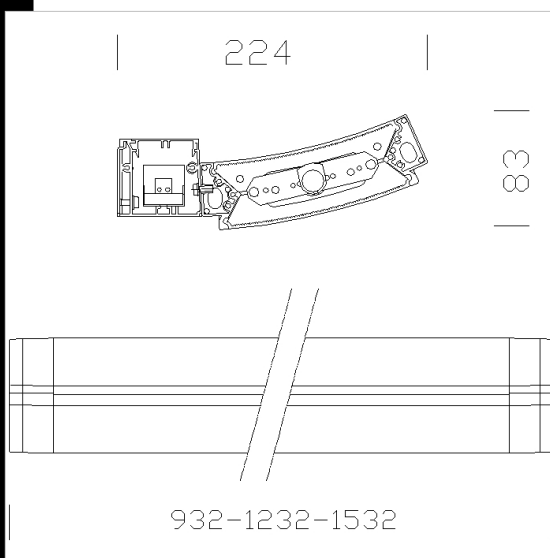
Regulations: Manufactured in compliance with EN60598 - CEI 34 - 21 standards. The level of protection complies with the EN60529 standard. Compliant with the EN12464 standard.

Emergency version: In maintained version. In the event of a black-out a single lamp connected to the back-up circuit stays on. Run time 60 minutes.

On request: Optionally, "Main Control System" to supervise the emergency versions

Design: Lorenzo Stano

In case of mounting in a continuous line with accessory 358, the order should include fixtures with subcode -0072



#### Download

DXF 2D

- 3630.dxf

3DS

- disano\_3630\_arco\_1232.3ds  
- disano\_3630\_arco\_932.3ds  
- disano\_3630\_arco\_1532.3ds

3DM

- disano\_3630\_arco\_1532.3dm  
- disano\_3630\_arco\_932.3dm  
- disano\_3630\_arco\_1232.3dm

Montaggi

- 3630-3631.pdf

Code	Gear	Kg	Lumen-K-CRI	WTot	Base	Colour
145527-12	CELL-D	4,00	FL 1x54-4450lm-4000K-Ra 1b	54 W	G5	WHITE
145522-00	CELL	3,56	FL 1x39-3100lm-4000K-Ra 1b	44 W	G5	GREY
145526-0041	CNRL-F	3,56	FL 1x39-3100lm-4000K-Ra 1b	42 W	G5	WHITE
145527-0041	CELL-D-D	7,00	FL 1x54-4450lm-4000K-Ra 1b	59 W	G5	WHITE
145528-0041	CELL-D-D	9,28	FL 1x80-6550lm-4000k-Ra 1b	79 W	G5	WHITE
145526-00	CELL	3,56	FL 1x39-3100lm-4000K-Ra 1b	44 W	G5	WHITE
145523-12	CELL-D	4,40	FL 1x54-4450lm-4000K-Ra 1b	58 W	G5	GREY
145522-12	CELL-D	3,66	FL 1x39-3100lm-4000K-Ra 1b	43 W	G5	GREY
145524-0041	CNRL-F	5,01	FL 1x80-6550lm-4000k-Ra 1b	79 W	G5	GREY
145528-12	CELL-D	4,87	FL 1x80-6550lm-4000k-Ra 1b	79 W	G5	WHITE
145522-0041	CELL-D-D	3,70	FL 1x39-3100lm-4000K-Ra 1b	41 W	G5	GREY
145523-0041	CELL-D-D	4,28	FL 1x54-4450lm-4000K-Ra 1b	58 W	G5	GREY
145523-00	CELL	4,00	FL 1x54-4450lm-4000K-Ra 1b	58 W	G5	GREY
145528-00	CELL	5,01	FL 1x80-6550lm-4000k-Ra 1b	79 W	G5	WHITE
145526-12	CELL-D	3,56	FL 1x39-3100lm-4000K-Ra 1b	42 W	G5	WHITE
145527-00	CELL	4,00	FL 1x54-4450lm-4000K-Ra 1b	58 W	G5	WHITE
145524-12	CELL-D	5,05	FL 1x80-6550lm-4000k-Ra 1b	79 W	G5	GREY
145524-00	CELL	5,01	FL 1x80-6550lm-4000k-Ra 1b	79 W	G5	GREY

#### Accessori



- 336 Reflector single direct light



- 353 cover



- 354 cover



- 359 lamelles convexes



- 360 Concave lamella



- 449

The reported luminous flux is the flux emitted by the light source with a tolerance of  $\pm 10\%$  compared to the indicated value. The W tot column indicates the total wattage absorbed by the system without exceeding 10% of the indicated