



3611 Arco single bilamp

A suitable ambience is an important goal to achieve in business meeting environments: light is a key element to help achieve it. Arco is a modular system supplying direct, indirect light or both, whereby you will always get the desired degree of light, depending also on sunlight.

Housing: Extruded aluminium with die-cast end caps.

Diffuser: Clear, V2 self-extinguishing, UV-stabilised polycarbonate. The smooth outside finishing facilitates cleaning, essential to ensure maximum lighting efficiency at all times.

Coating: Fluid-coated with a UV-stabilised acrylic-resin paint.

Lampholder: Polycarbonate with phosphorous bronze contacts.

Electric gear: 230-240V/-50/60Hz power supply with electronic ballast. Hard wire, cross-section 0.50 sqmm, and high-temperature resistant (up to 90°) PVC-HT sheath, in accordance with CEI 20-20 standards. 2P + T terminal block (maximum allowed lead cross-section 2.5 sqmm.)

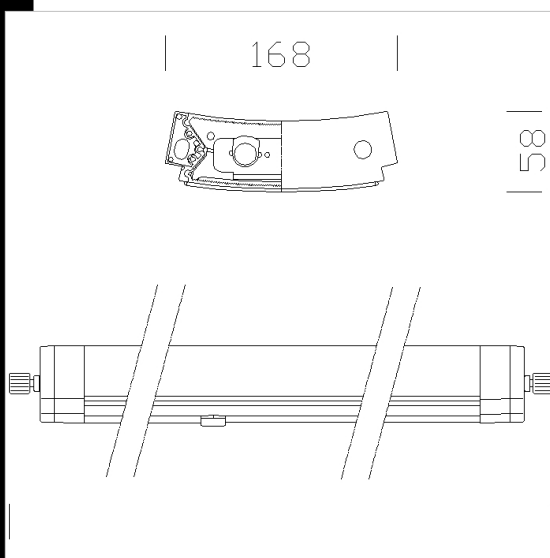
Regulations: Manufactured in compliance with EN60598 - CEI 34 - 21 standards. The level of protection complies with the EN60529 standard. Compliant with the EN12464 standard.

Emergency version: In maintained version. In the event of a black-out a single lamp connected to the back-up circuit stays on. Run time 60 minutes.

On request: Optionally, "Main Control System" to supervise the emergency versions

Design: Lorenzo Stano

In case of mounting in a continuous line with accessory 358, the order should include fixtures with subcode -0072



Download

DXF 2D
- 3611.dxf

3DS
- disano_3611_arco_1947.3ds
- disano_3611_arco_1647.3ds

3DM
- disano_3611_arco_1647.3dm
- disano_3611_arco_1947.3dm

Montaggi
- 3610_arco.pdf
- arco_mont.dxf

Code	Gear	Kg	Lumen-K-CRI	WTot	Base	Colour
145332-0072	CELL	5.00	FL 2x54-4460lm-4000K-Ra 1b	120 W	G5	GREY
145338-00	CELL	8.00	FL 2x80-6550lm-4000K-Ra 1b	156 W	G5	WHITE
145333-12	CELL-D	5.88	FL 2x80-6550lm-4000K-Ra 1b	158 W	G5	GREY
145338-12	CELL-D	5.92	FL 2x80-6550lm-4000K-Ra 1b	158 W	G5	WHITE
145337-00	CELL	5.00	FL 2x54-4460lm-4000K-Ra 1b	120 W	G5	WHITE
145337-12	CELL-D	5.12	FL 2x54-4460lm-4000K-Ra 1b	118 W	G5	WHITE
145332-00	CELL	5.00	FL 2x54-4460lm-4000K-Ra 1b	120 W	G5	GREY
145337-0072	CELL	4.90	FL 2x54-4460lm-4000K-Ra 1b	120 W	G5	WHITE
145333-0072	CELL	8.00	FL 2x80-6550lm-4000K-Ra 1b	156 W	G5	GREY
145338-0072	CELL	5.98	FL 2x80-6550lm-4000K-Ra 1b	156 W	G5	WHITE
145332-12	CELL-D	5.02	FL 2x54-4460lm-4000K-Ra 1b	115 W	G5	GREY
145333-00	CELL	8.00	FL 2x80-6550lm-4000K-Ra 1b	156 W	G5	GREY

Accessories



- 2018 universal joint



- 336 Reflector single direct light



- 353 cover



- 354 cover



- 358



- 359 lamelles convexes



- 360 Concave lamella



- 448



- 2509 powered suspension



- 2507 simple suspension

The reported luminous flux is the flux emitted by the light source with a tolerance of ± 10% compared to the indicated value. The W tot column indicates the total wattage absorbed by the system without exceeding 10% of the indicated