



Download

- DXF 2D
- 3610.dxf
- 3DS
- disano_3610_arco_1947.3ds
- disano_3610_arco_1647.3ds
- 3DM
- disano_3610_arco_1647.3dm
- disano_3610_arco_1947.3dm
- Montaggi
- 3610_arco.pdf
- 3620_21_giunzione3.dxf
- 3620_21_giunzione1.dxf
- arco_moni.dxf



3610 Arco single monolamp

A suitable ambience is an important goal to achieve in business meeting environments: light is a key element to help achieve it. Arco is a modular system supplying direct, indirect light or both, whereby you will always get the desired degree of light, depending also on sunlight.

Housing: Extruded aluminium with die-cast end caps.

Diffuser: Clear, V2 self-extinguishing, UV-stabilised polycarbonate. The smooth outside finishing facilitates cleaning, essential to ensure maximum lighting efficiency at all times.

Coating: Fluid-coated with a UV-stabilised acrylic-resin paint.

Lampholder: Polycarbonate with phosphorous bronze contacts.

Electric gear: 230-240V/-50/60Hz power supply with electronic ballast. Hard wire, cross-section 0.50 sqmm, and high-temperature resistant (up to 90°) PVC-HT sheath, in accordance with CEI 20-20 standards. 2P + T terminal block (maximum allowed lead cross-section 2.5 sqmm.)

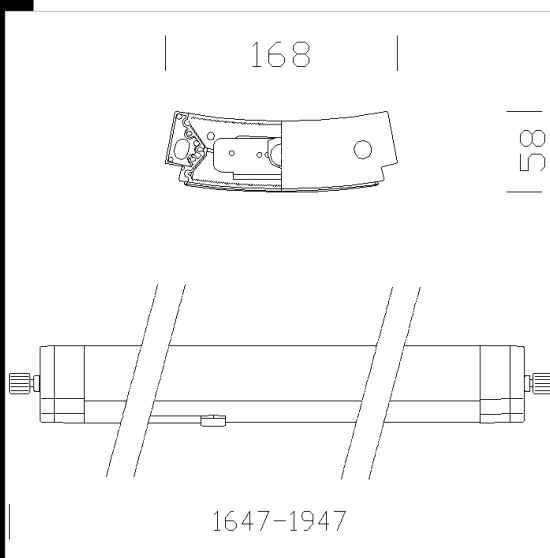
Regulations: Manufactured in compliance with EN60598 - CEI 34 - 21 standards. The level of protection complies with the EN60529 standard. Compliant with the EN12464 standard.

Emergency version: In maintained version. In the event of a black-out a single lamp connected to the back-up circuit stays on. Run time 60 minutes.

On request: Optionally, "Main Control System" to supervise the emergency versions

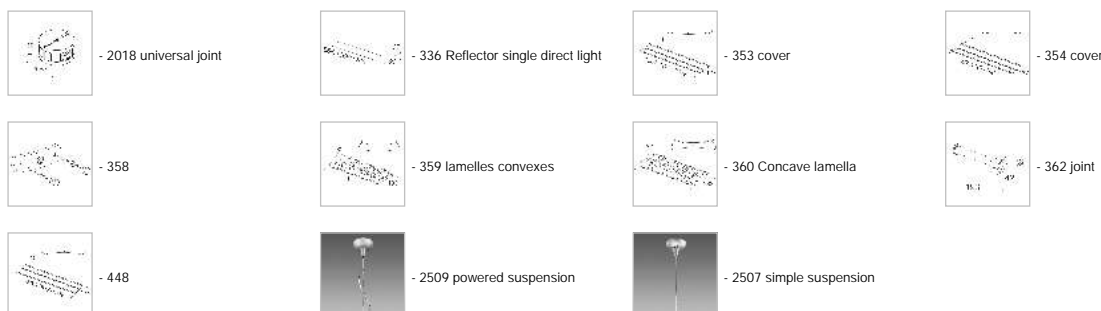
Design: Lorenzo Stano

In case of mounting in a continuous line with accessory 358, the order should include fixtures with subcode -0072



Code	Gear	Kg	Lumen-K-CRI	WTot	Base	Colour
145328-0072	CELL	8.00	FL 1x80-6550lm-4000k-Ra 1b	79 W	G5	WHITE
145627-12	CELL-D	2.70	FL 1x54-4450lm-4000K-Ra 1b	0 W	G5	WHITE
145327-00	CELL	4.88	FL 1x54-4450lm-4000K-Ra 1b	58 W	G5	WHITE
145328-00	CELL	8.00	FL 1x80-6550lm-4000k-Ra 1b	79 W	G5	WHITE
145323-00	CELL	8.00	FL 1x80-6550lm-4000k-Ra 1b	79 W	G5	GREY
145328-12	CNR-L	8.00	FL 1x80-6550lm-4000k-Ra 1b	79 W	G5	WHITE
145323-0072	CELL	8.00	FL 1x80-6550lm-4000k-Ra 1b	79 W	G5	GREY
145322-00	CELL	4.88	FL 1x54-4450lm-4000K-Ra 1b	58 W	G5	GREY
145323-12	CELL-D	5.42	FL 1x80-6550lm-4000k-Ra 1b	79 W	G5	GREY
145327-0072	CELL	4.90	FL 1x54-4450lm-4000K-Ra 1b	58 W	G5	WHITE
145322-12	CELL-D	4.88	FL 1x54-4450lm-4000K-Ra 1b	54 W	G5	GREY
145322-0072	CELL	4.90	FL 1x54-4450lm-4000K-Ra 1b	58 W	G5	GREY

Accessories



The reported luminous flux is the flux emitted by the light source with a tolerance of ± 10% compared to the indicated value. The W tot column indicates the total wattage absorbed by the system without exceeding 10% of the indicated