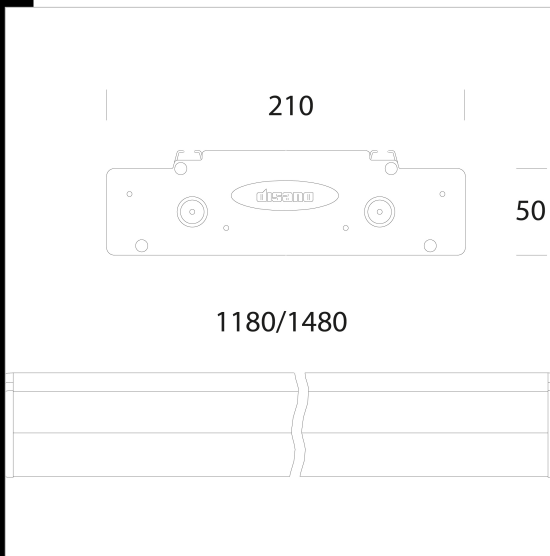
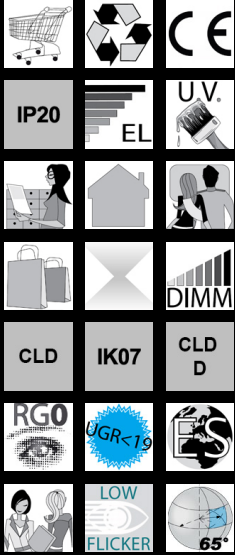




3878 Channel - direct - indirect light

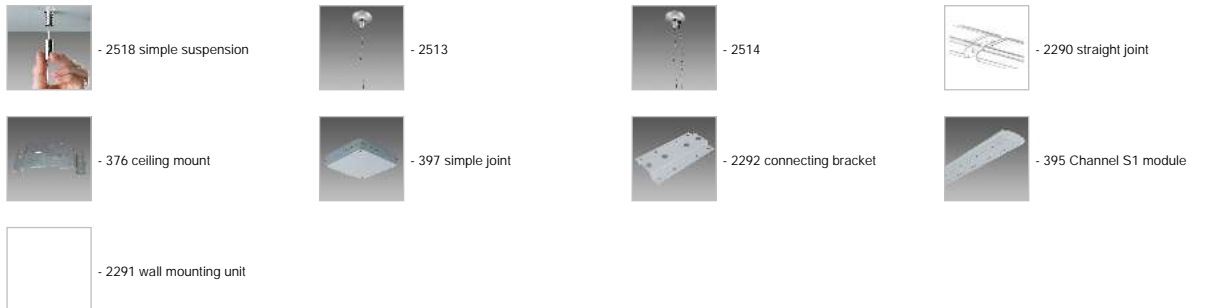
Housing: Extruded aluminium with die-cast end caps.
 Optic unit: Longitudinal and transversal double parabolic dark-light louvres built from 99.99 high-gloss, anti-glare, anti-iridescence, very low luminance aluminium.
 Coating: Metallic silver or polished white polyester resin powder coating, resistant to corrosion and to saline environments
 Standard supply: The snap-on optic unit remains attached by safety cords.
 Regulations: Manufactured in compliance with EN60598 - CEI 34 - 21 standards. The level of protection complies with the EN60529 standard.
 Luminous flux maintenance 80% 50000h (L80B20)
 Power factor 0.95
 Photobiological safety class: exempt group



- Download**
- DXF 2D
- 3877-3878.dxf
 - 3DS
- disano_3878_channel_1480.3ds
- disano_3878_channel_1180.3ds
 - 3DM
- disano_3878_channel_1480.3dm
- disano_3878_channel_1180.3dm
 - Montaggi
- channel 10-21.pdf
 - BIM
- 3878_Channel - direct - indirect light - 20200224.zip

Code	Gear	Kg	Lumen Output-K-CRI	WTot	Colour
145180-00	CLD	4.42	LED-5554lm-4000K-CRI 80	53 W	WHITE
145181-00	CLD	4.43	LED-5554lm-4000K-CRI 80	53 W	GREY
145182-00	CLD	5.72	LED-6943lm-4000K-CRI 80	67 W	WHITE
145183-00	CLD	5.46	LED-6943lm-4000K-CRI 80	67 W	GREY

Accessories



The reported luminous flux is the flux emitted by the light source with a tolerance of ± 10% compared to the indicated value. The W tot column indicates the total wattage absorbed by the system without exceeding 10% of the indicated