

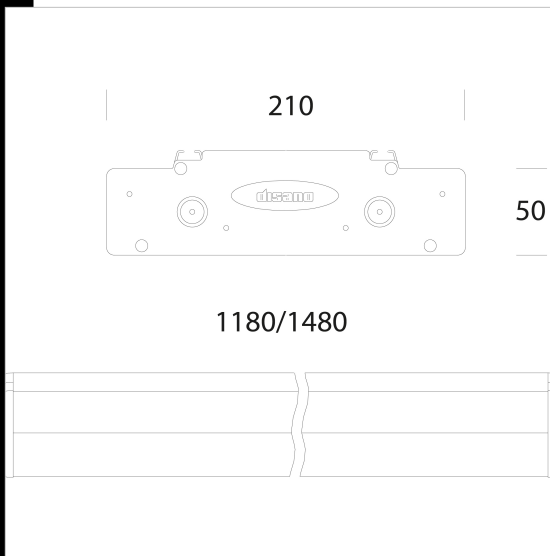


3877 Channel - direct light

Housing: Extruded aluminium with die-cast end caps.
 Optic unit: Longitudinal and transversal double parabolic dark-light louvres built from 99.99 high-gloss, anti-glare, anti-iridescence, very low luminance aluminium.
 Coating: Metallic silver or polished white polyester resin powder coating, resistant to corrosion and to saline environments
 Standard supply: The snap-on optic unit remains attached by safety cords.
 Regulations: Manufactured in compliance with EN60598 - CEI 34 - 21 standards. The level of protection complies with the EN60529 standard.
 Luminous flux maintenance 80% 50000h (L80B20)
 Power factor 0.95
 Photobiological safety class: exempt group

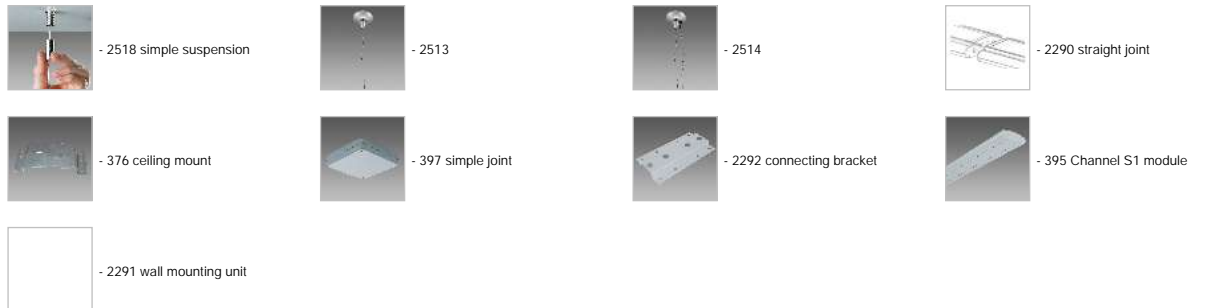
Download

- DXF 2D
- 3877-3878.dxf
- 3DS
- disano_3877_channel_1480.3ds
- disano_3877_channel_1180.3ds
- 3DM
- disano_3877_channel_1180.3dm
- disano_3877_channel_1480.3dm
- Montaggi
- channel 10-21.pdf



Code	Gear	Kg	Lumen Output-K-CRI	WTot	Colour
145170-00	CLD	3,70	LED-2681lm-4000K-CRI 80	27 W	WHITE
145171-00	CLD	4,70	LED-2681lm-4000K-CRI 80	27 W	GREY
145172-00	CLD	6,10	LED-3352lm-4000K-CRI 80	34 W	WHITE
145173-00	CLD	5,74	LED-3352lm-4000K-CRI 80	34 W	GREY

Accessori



The reported luminous flux is the flux emitted by the light source with a tolerance of $\pm 10\%$ compared to the indicated value. The W tot column indicates the total wattage absorbed by the system without exceeding 10% of the indicated