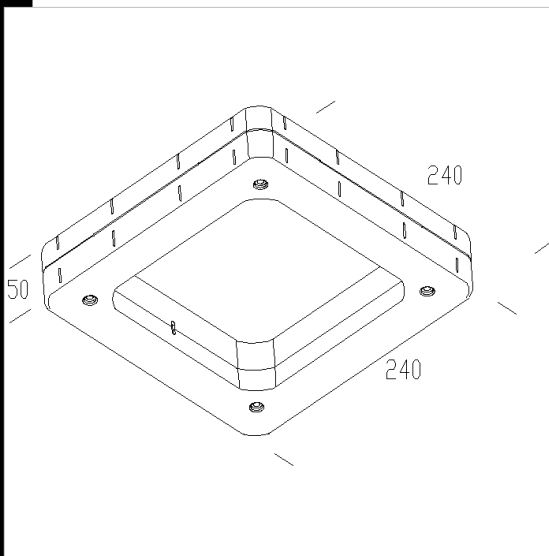


397 simple joint

Made of die-cast aluminium. For "L", "T" or "X"

Download

DXF 2D
- 397.dxf



Code	Kg	WTot	Colour
145099-00	0.95	0 W	WHITE
145098-00	0.95	0 W	GREY

Products



- 3874 Channel 2 T5



- 3877 Channel - direct light



- 3878 Channel - direct - indirect



- 3873 Channel 1 T5

The reported luminous flux is the flux emitted by the light source with a tolerance of $\pm 10\%$ compared to the indicated value. The W tot column indicates the total wattage absorbed by the system without exceeding 10% of the indicated