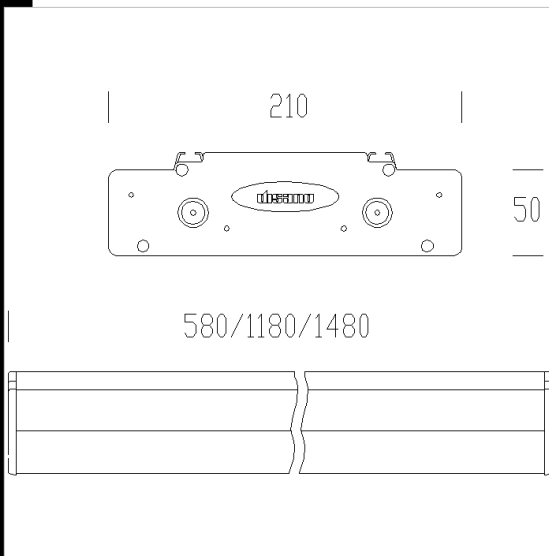


395 Channel S1 module

Download

DXF 2D  
- 395-396.dxf



Code	Kg	Lumen-K-CRI	WTot	Colour
145091-00	2,76	35/49---	0 W	WHITE
145090-00	2,48	28---	0 W	WHITE
145082-00	2,76	35/49---	0 W	GREY
145081-00	2,48	28---	0 W	GREY

Prodotti



- 3874 Channel 2 T5



- 3877 Channel - direct light



- 3878 Channel - direct - indirect



- 3873 Channel 1 T5

The reported luminous flux is the flux emitted by the light source with a tolerance of  $\pm 10\%$  compared to the indicated value. The W tot column indicates the total wattage absorbed by the system without exceeding 10% of the indicated