

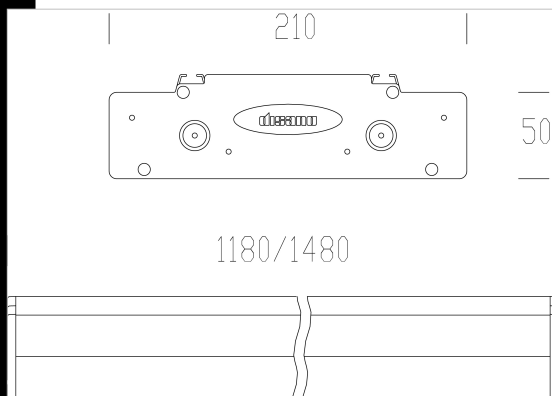


3874 Channel 2 T5

Housing: Extruded aluminium with die-cast end caps.
 Optic unit: Longitudinal and transversal double parabolic dark-light louvres built from 99.99 high-gloss, anti-glare, anti-iridescence, very low luminance aluminium.
 Coating: Metallic silver or polished white polyester resin powder coating, resistant to corrosion and to saline environments
 Lampholder: Polycarbonate with phosphorous bronze contacts.
 Electric gear: 230V/50Hz (CNR)-230V240-50/60(CELL) power supply.
 Hard wire, cross-section 0.50 sqmm and high-temperature resistant (up to 90°C) PVC-HT sheath, in accordance with CEI 20-20 standards.
 2P+T terminal block (maximum allowed lead cross-section: 2.5 sqmm).
 Standard supply: The snap-on optic unit remains attached by safety cords.
 Cover: Optionally, direct light only using acc. 375
 Regulations: Manufactured in compliance with EN60598 - CEI 34 - 21 standards. The level of protection complies with the EN60529 standard.
 Other versions: with electronic dimming ballast
 Emergency version: In maintained version. In the event of a black-out a single lamp connected to the back-up circuit stays on. Run time 60 minutes.
 On request: A "Main Control System" to supervise the emergency versions (see chapter).
 On request: versions with 3-hour battery life.

Download

- DXF 2D
- 3873-74.dxf
- 3DS
- disano_3874_channel_1180.3ds
- 3DM
- disano_3874_channel_1180.3dm
- Montaggi
- giano_channel.pdf



Code	Gear	Kg	Watt	Base	Lamps	Colour
145076-51	CELL-DH	5,04	FL 2x35	G5	3350lm-4000K-Ra 1b	WHITE
145072-51	CELL-DH	5,04	FL 2x35	G5	3350lm-4000K-Ra 1b	SANDBLASTED SILVER
145072-00	CELL	4,76	FL 2x35	G5	3350lm-4000K-Ra 1b	SANDBLASTED SILVER
145072-07	CELL-E	5,10	FL 2x35	G5	3350lm-4000K-Ra 1b	SANDBLASTED SILVER
145077-51	CELL-DH	5,04	FL 2x49	G5	4350lm-4000K-Ra 1b	WHITE
145073-51	CELL-DH	5,04	FL 2x49	G5	4350lm-4000K-Ra 1b	SANDBLASTED SILVER
145075-51	CELL-DH	3,70	FL 2x28	G5	2650lm-4000K-Ra 1b	WHITE
145075-07	CELL-E	4,30	FL 2x28	G5	2650lm-4000K-Ra 1b	WHITE
145071-51	CELL-DH	3,70	FL 2x28	G5	2650lm-4000K-Ra 1b	SANDBLASTED SILVER
145073-07	CELL-E	5,10	FL 2x49	G5	4350lm-4000K-Ra 1b	SANDBLASTED SILVER
145077-00	CELL	4,70	FL 2x49	G5	4350lm-4000K-Ra 1b	WHITE
145075-00	CELL	3,70	FL 2x28	G5	2650lm-4000K-Ra 1b	WHITE
145076-07	CELL-E	5,10	FL 2x35	G5	3350lm-4000K-Ra 1b	WHITE
145073-00	CELL	4,76	FL 2x49	G5	4350lm-4000K-Ra 1b	SANDBLASTED SILVER
145076-00	CELL	4,76	FL 2x35	G5	3350lm-4000K-Ra 1b	WHITE
145071-00	CELL	3,70	FL 2x28	G5	2650lm-4000K-Ra 1b	SANDBLASTED SILVER
145077-07	CELL-E	5,10	FL 2x49	G5	4350lm-4000K-Ra 1b	WHITE
145071-07	CELL-E	4,30	FL 2x28	G5	2650lm-4000K-Ra 1b	SANDBLASTED SILVER

Accessories

