

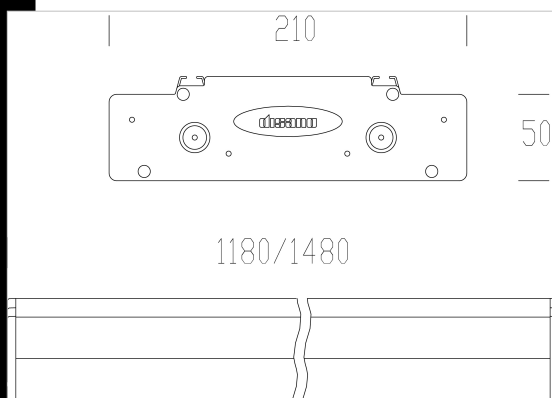


### 3873 Channel 1 T5

Housing: Extruded aluminium with die-cast end caps.  
 Optic unit: Longitudinal and transversal double parabolic dark-light louvres built from 99.99 high-gloss, anti-glare, anti-iridescence, very low luminance aluminium.  
 Coating: Metallic silver or polished white polyester resin powder coating, resistant to corrosion and to saline environments  
 Lampholder: Polycarbonate with phosphorous bronze contacts.  
 Electric gear: 230V/50Hz (CNR)-230V240-50/60(CELL) power supply.  
 Hard wire, cross-section 0.50 sqmm and high-temperature resistant (up to 90°C) PVC-HT sheath, in accordance with CEI 20-20 standards.  
 2P+T terminal block (maximum allowed lead cross-section: 2.5 sqmm).  
 Standard supply: The snap-on optic unit remains attached by safety cords.  
 Cover: Optionally, direct light only using acc. 375  
 Regulations: Manufactured in compliance with EN60598 - CEI 34 - 21 standards. The level of protection complies with the EN60529 standard.  
 Other versions: with electronic dimming ballast  
 Emergency version: In maintained version. In the event of a black-out a single lamp connected to the back-up circuit stays on. Run time 60 minutes.  
 On request: A "Main Control System" to supervise the emergency versions (see chapter).  
 On request: versions with 3-hour battery life.

#### Download

- DXF 2D  
- 3873-74.dxf
- 3DS  
- disano\_3873\_channel\_1480.3ds
- 3DM  
- disano\_3873\_channel\_1480.3dm
- Montaggi  
- giano\_channel.pdf



Code	Gear	Kg	Watt	Base	Lamps	Colour
145062-07	CELL-E	4,90	FL 1x35	G5	3350lm-4000K-Ra 1b	SANDBLASTED SILVER
145066-07	CELL-E	4,90	FL 1x35	G5	3350lm-4000K-Ra 1b	WHITE
145067-00	CELL	4,20	FL 1x49	G5	4350lm-4000K-Ra 1b	WHITE
145062-00	CELL	4,20	FL 1x35	G5	3350lm-4000K-Ra 1b	SANDBLASTED SILVER
145065-12	CELL-D	3,75	FL 1x28	G5	2650lm-4000K-Ra 1b	WHITE
145065-00	CELL	3,50	FL 1x28	G5	2650lm-4000K-Ra 1b	WHITE
145061-07	CELL-E	4,10	FL 1x28	G5	2650lm-4000K-Ra 1b	SANDBLASTED SILVER
145061-00	CELL	3,50	FL 1x28	G5	2650lm-4000K-Ra 1b	SANDBLASTED SILVER
145062-12	CELL-D	4,28	FL 1x35	G5	3350lm-4000K-Ra 1b	SANDBLASTED SILVER
145063-12	CELL-D	4,42	FL 1x49	G5	4350lm-4000K-Ra 1b	SANDBLASTED SILVER
145065-07	CELL-E	4,10	FL 1x28	G5	2650lm-4000K-Ra 1b	WHITE
145066-00	CELL	4,20	FL 1x35	G5	3350lm-4000K-Ra 1b	WHITE
145066-12	CELL-D	4,52	FL 1x35	G5	3350lm-4000K-Ra 1b	WHITE
145067-07	CELL-E	4,90	FL 1x49	G5	4350lm-4000K-Ra 1b	WHITE
145061-12	CELL-D	3,82	FL 1x28	G5	2650lm-4000K-Ra 1b	SANDBLASTED SILVER
145063-00	CELL	4,20	FL 1x49	G5	4350lm-4000K-Ra 1b	SANDBLASTED SILVER
145063-07	CELL-E	4,90	FL 1x49	G5	4350lm-4000K-Ra 1b	SANDBLASTED SILVER
145067-12	CELL-D	4,46	FL 1x49	G5	4350lm-4000K-Ra 1b	WHITE

#### Accessori

